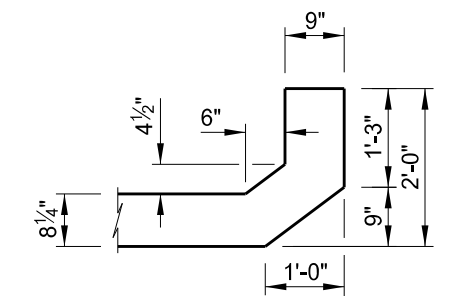
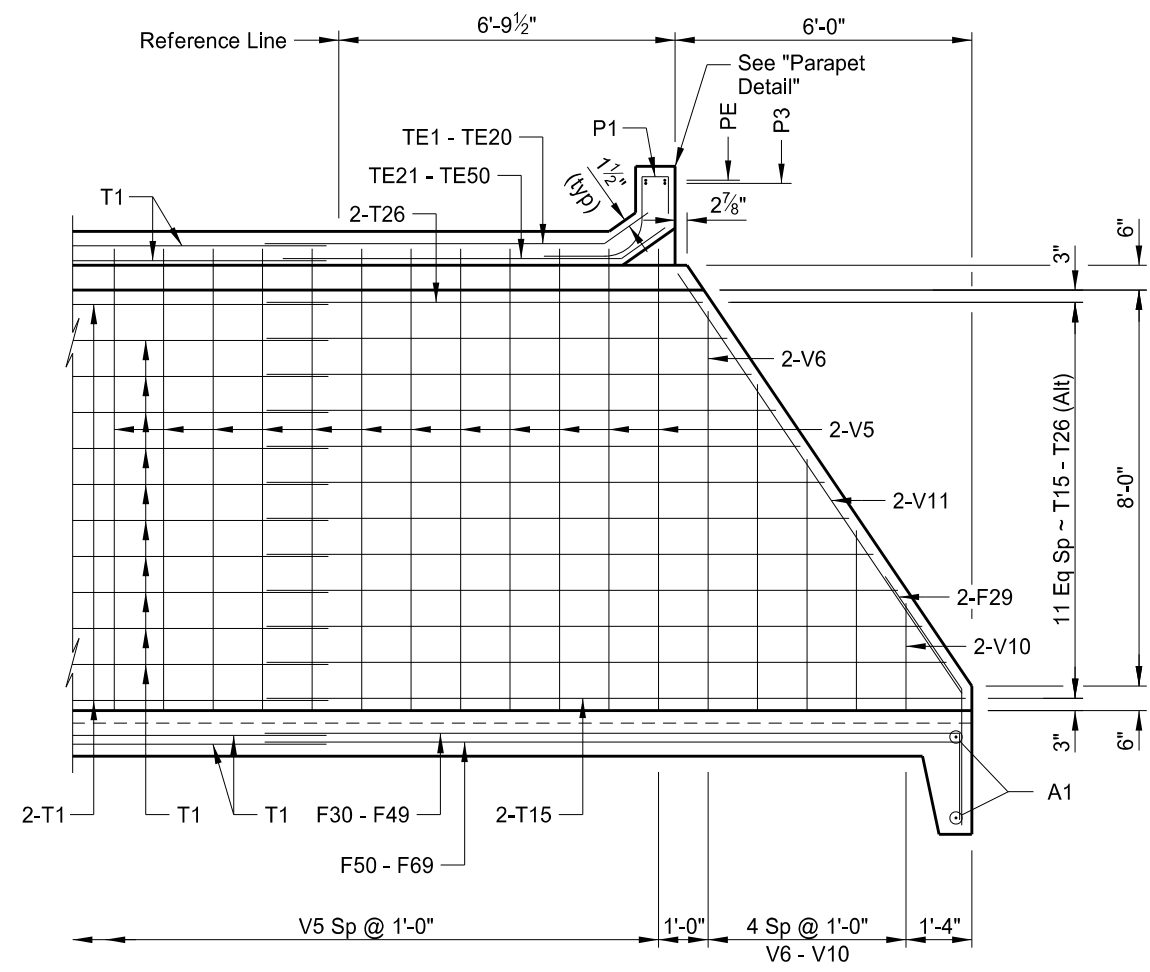


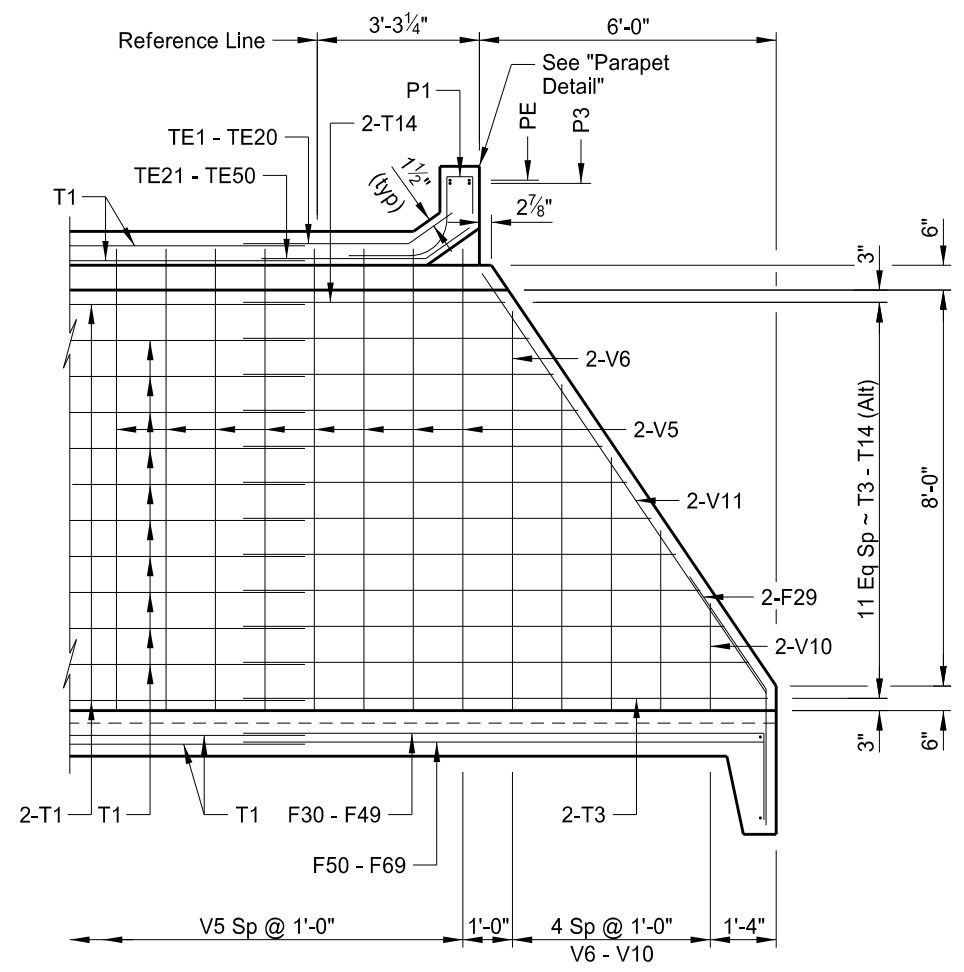
STATE	PROJECT NUMBER	SECTION NO.	SHEET NO.
ND	project number	170	10



PARAPET DETAIL



(INNER WALL)  
A-A



(INNER WALL)  
B-B

LONGITUDINAL SECTIONS

NOTE:  
 See Dwg 0-000.000-1 for location of Sections A-A and B-B.

This drawing is preliminary and not for construction or implementation purposes.

LOCATION

INNER WALL DETAILS & PARAPET DETAIL