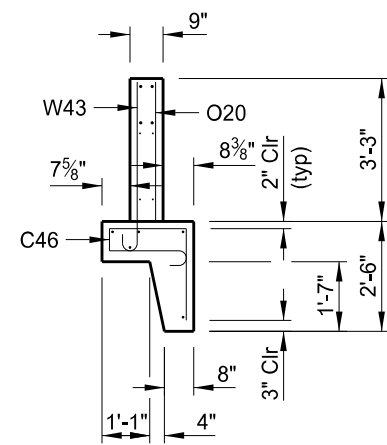
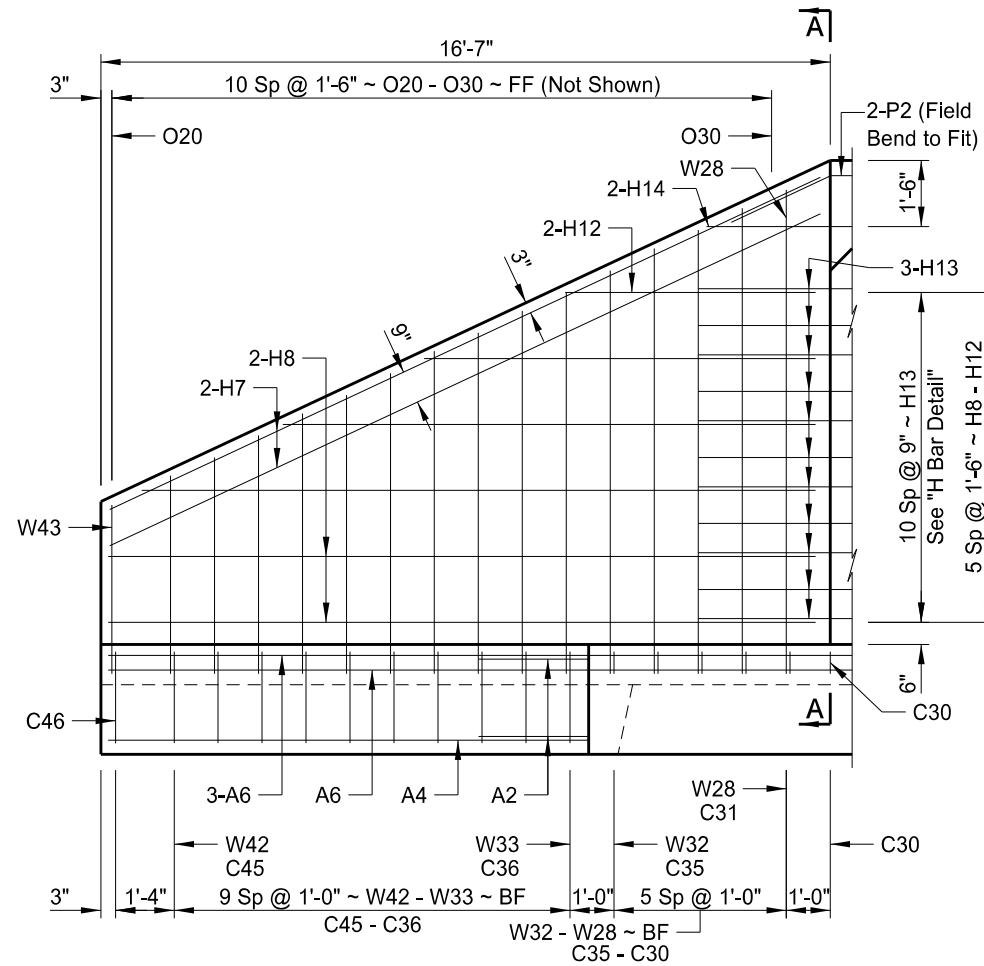


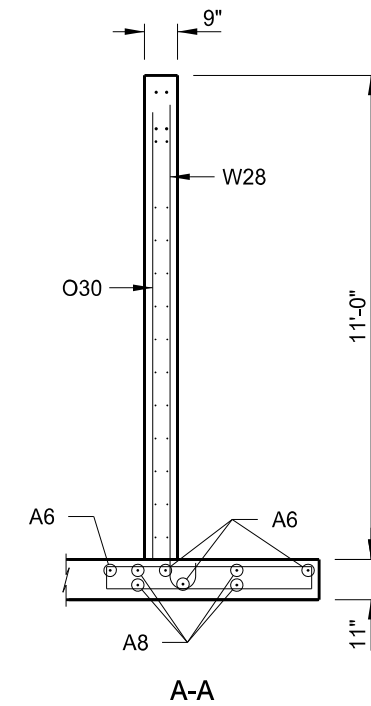
STATE	PROJECT NUMBER	SECTION NO.	SHEET NO.
ND	project number	170	6



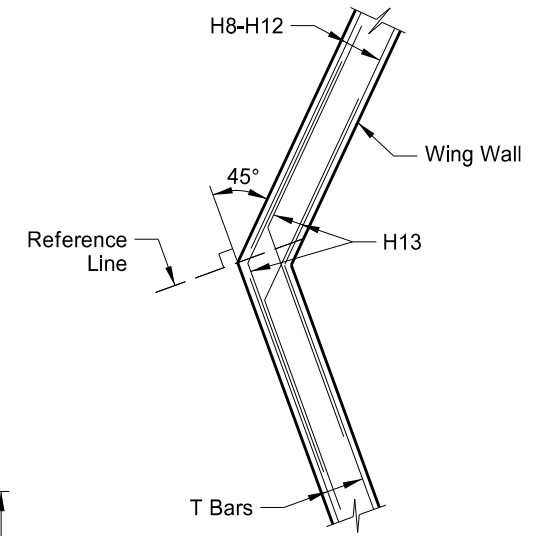
END VIEW



SHORT WING ELEVATION



A-A



H BAR DETAIL

NOMENCLATURE:

FF = FRONT FACE  
 BF = BACK FACE

This drawing is preliminary and not for construction or implementation purposes.

LOCATION
SHORT WING DETAILS