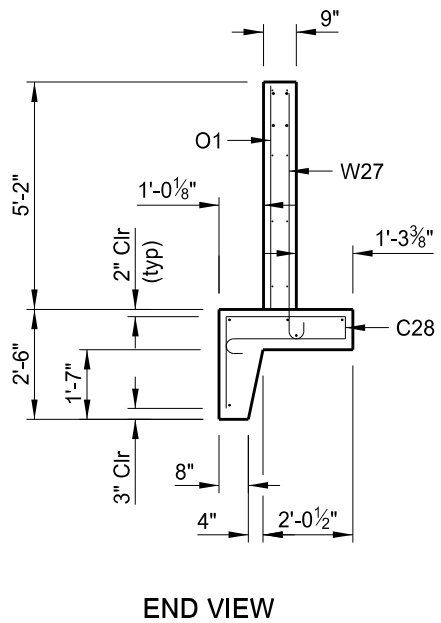
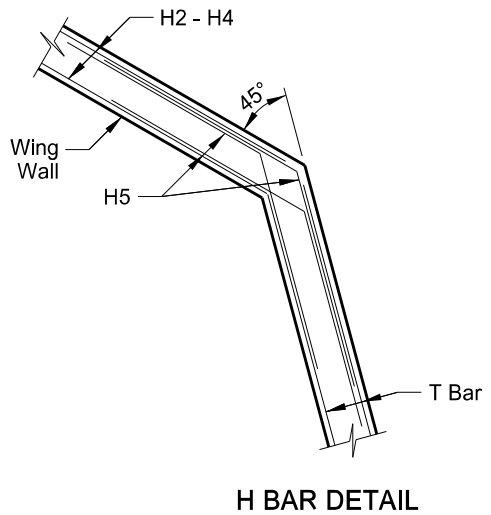
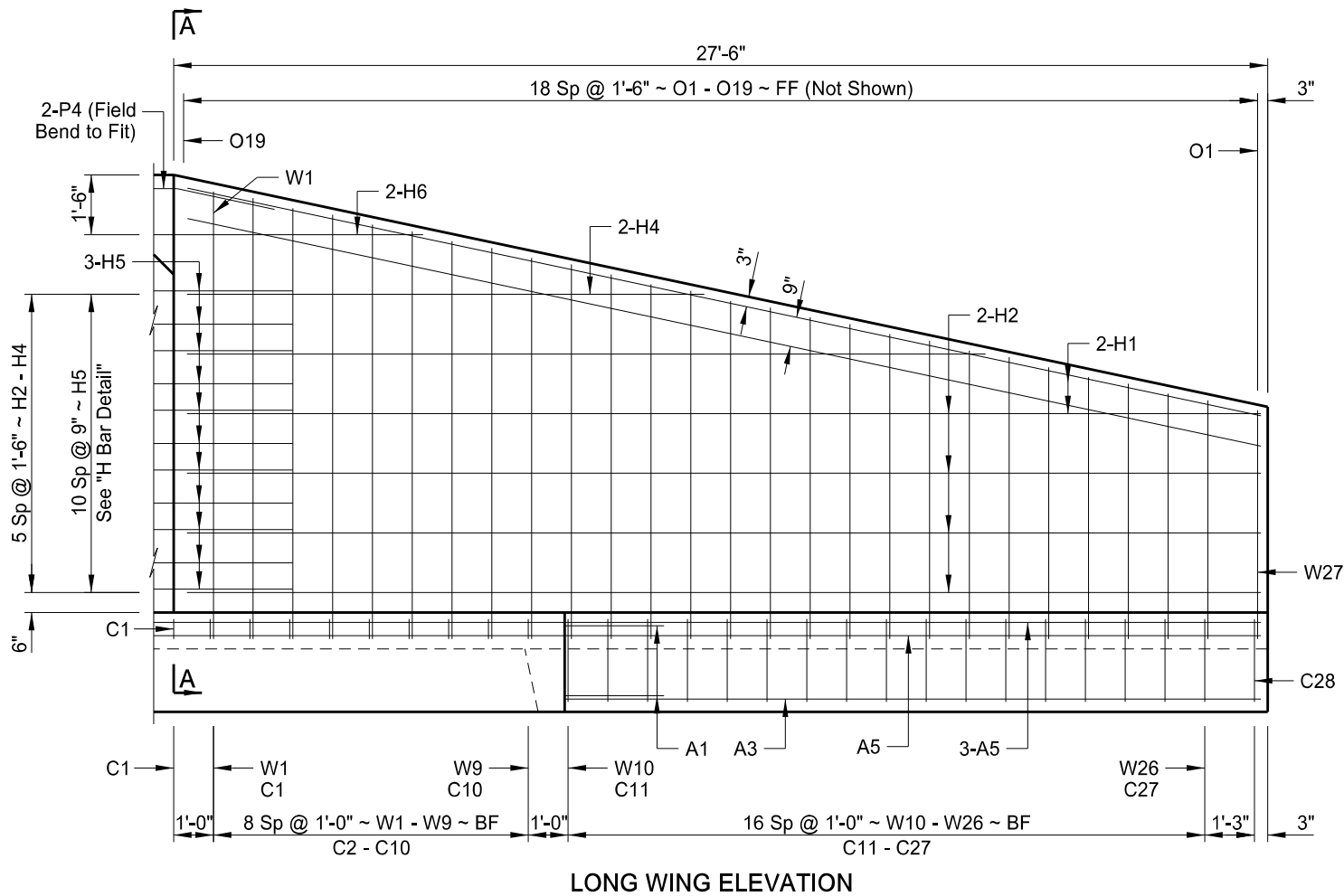
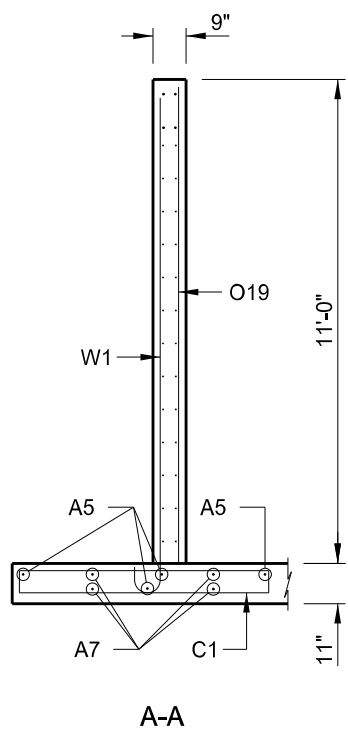


STATE	PROJECT NUMBER	SECTION NO.	SHEET NO.
ND	project number	170	5



NOMENCLATURE:
 FF = FRONT FACE
 BF = BACK FACE

This drawing is preliminary and not for construction or implementation purposes.

LOCATION
 LONG WING DETAILS