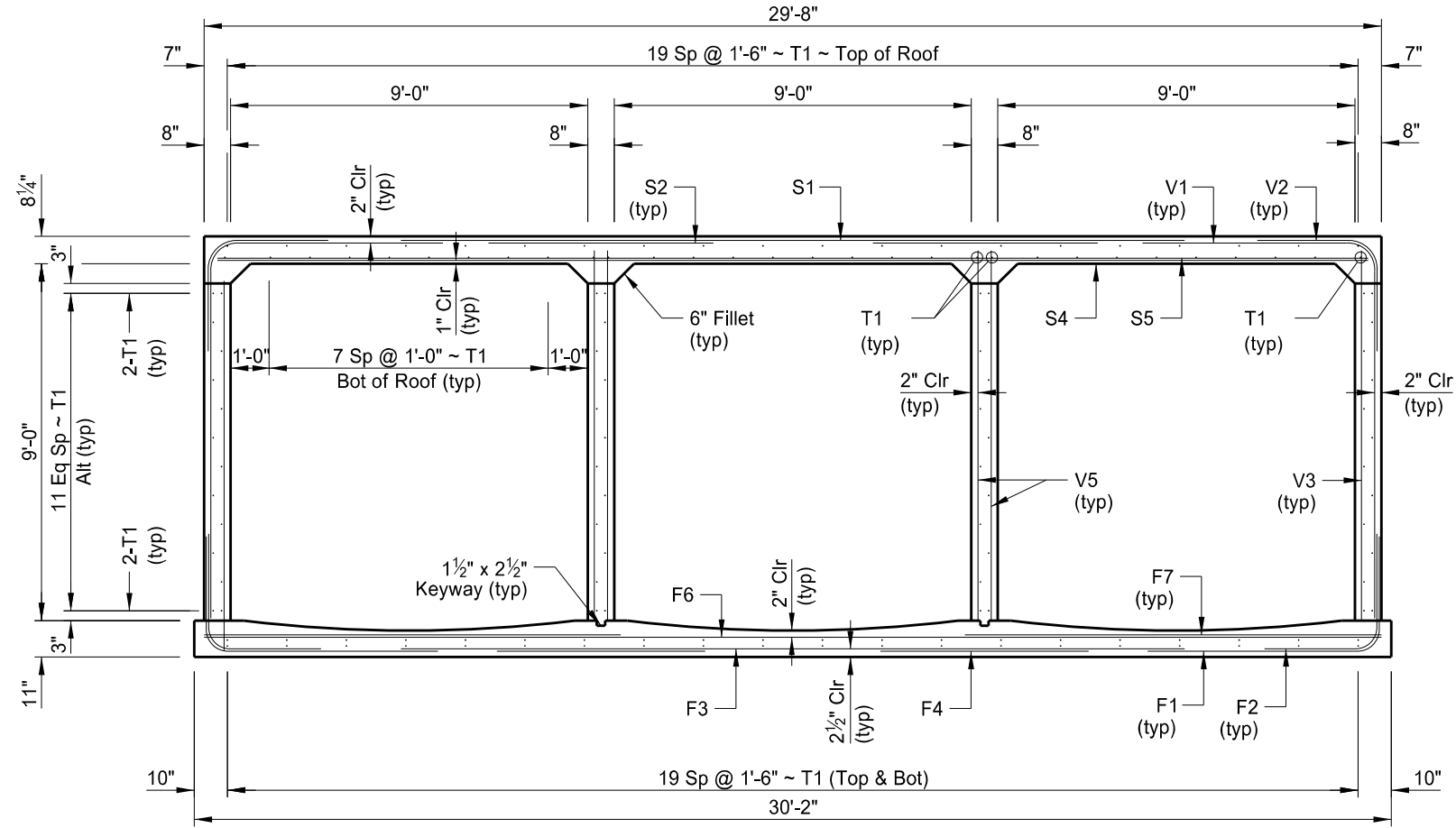
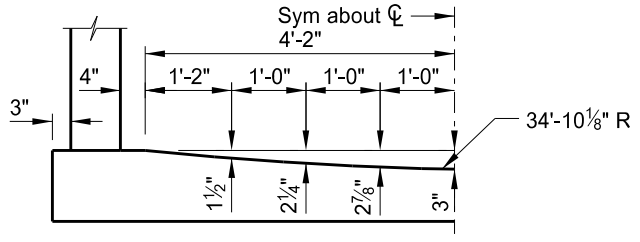


STATE	PROJECT NUMBER	SECTION NO.	SHEET NO.
ND	project number	170	4



SECTION OF BARREL



CURVED FLOOR OFFSETS

This drawing is preliminary and not for construction or implementation purposes.

LOCATION
BARREL SECTION