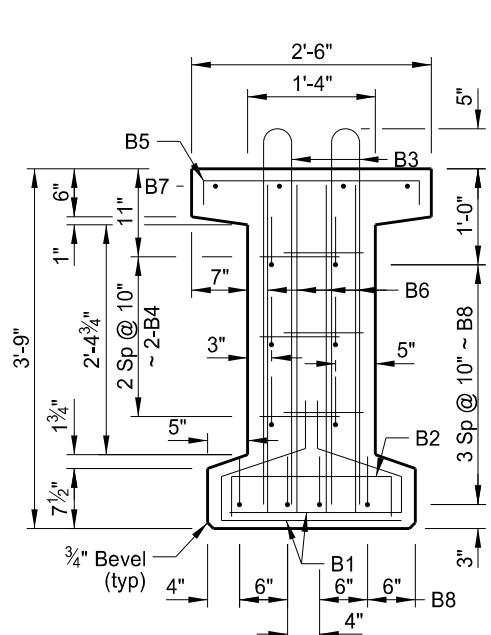
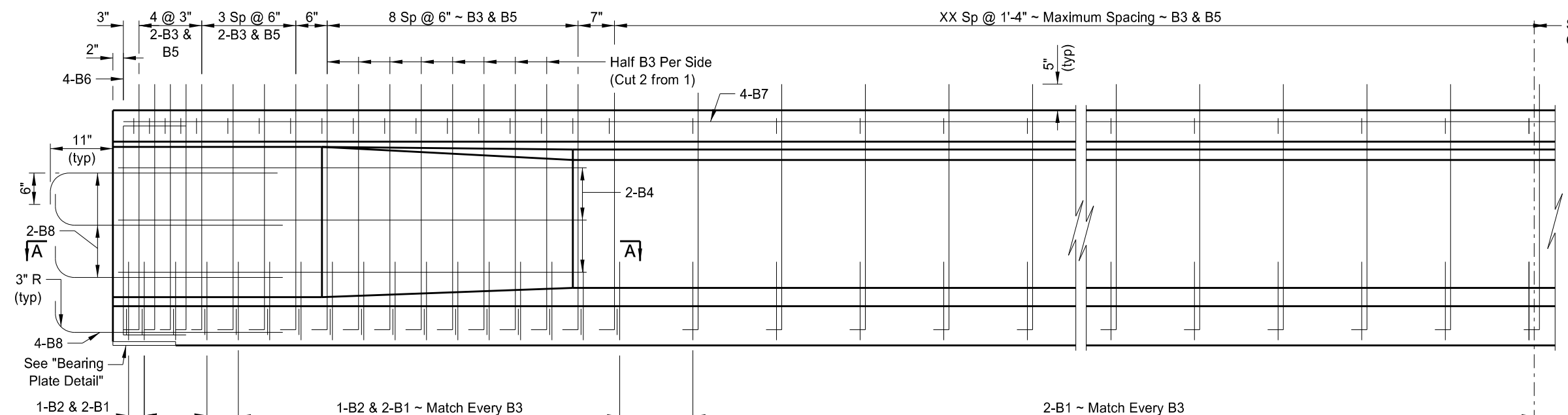


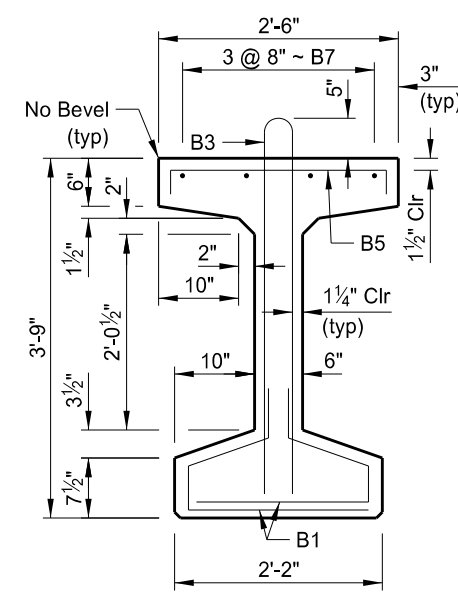
STATE	PROJECT NO.	SECTION NO.	SHEET NO.
ND	PROJECT NUMBER	SEC	PAGE



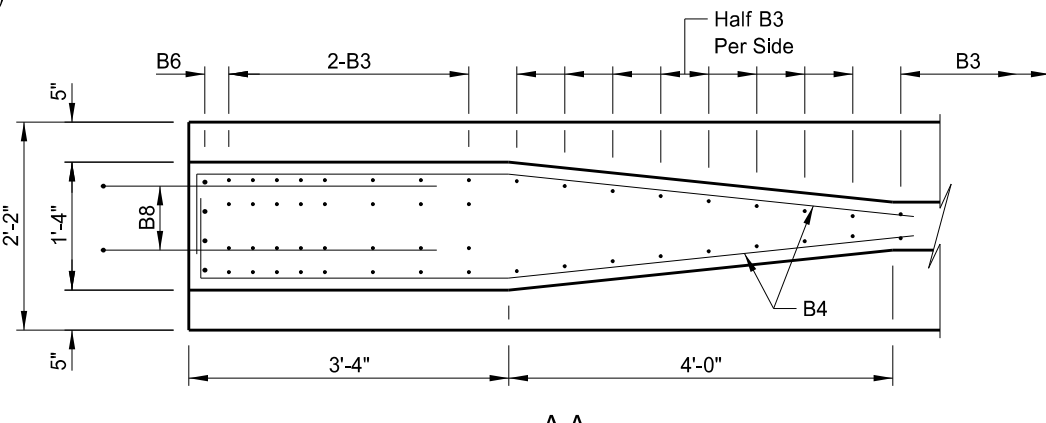
(DETAILS NOT SHOWN ARE SAME AS "SECTION @ C")
END VIEW



PART BEAM ELEVATION



SECTION @ C



A-A

BAR LIST ~ ONE BEAM

MARK	SIZE	NO.	LENGTH	SHAPE
B1	3	0	3'-9"	BENT
B2	3	0	2'-10"	BENT
** B3	4	0	8'-6"	BENT
B4	4	12	8'-3"	BENT
B5	3	0	2'-9"	BENT
B6	5	8	5'-5"	BENT
B7	5	0	0'-0"	STR
* B8	5	20	4'-0"	STR

* Field bend as shown with a 2.5" minimum bar bend diameter.
 ** Epoxy Coated

This drawing is preliminary and not for construction or implementation purposes.

LOCATION
 0'-0" BEAM LENGTH
 PRE-TENSIONED 45" PRESTRESSED I-BEAM

DRAWING NO.	00-000.000-0
-------------	--------------