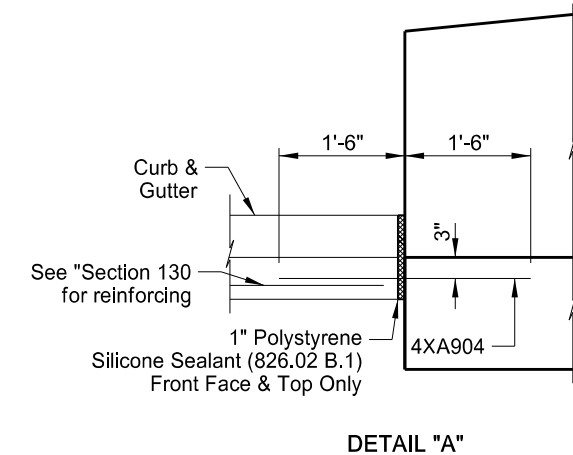
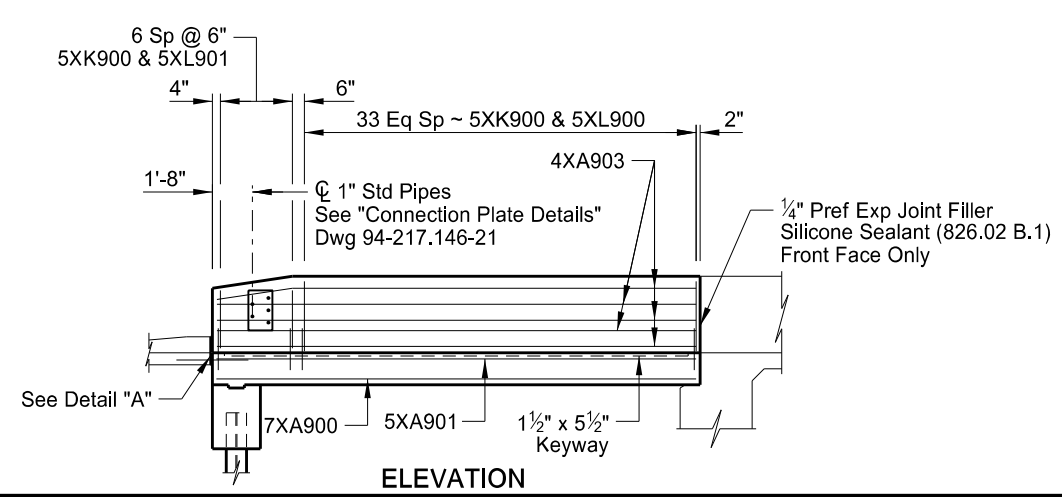
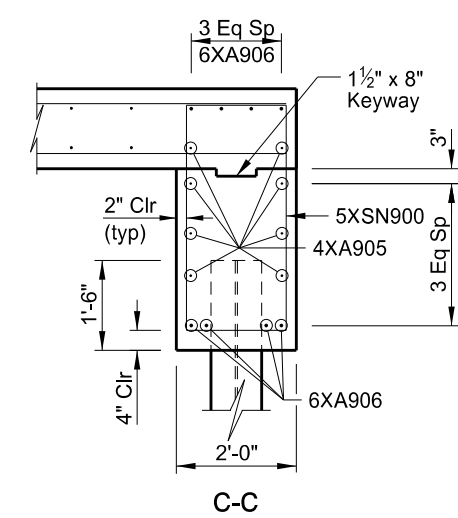
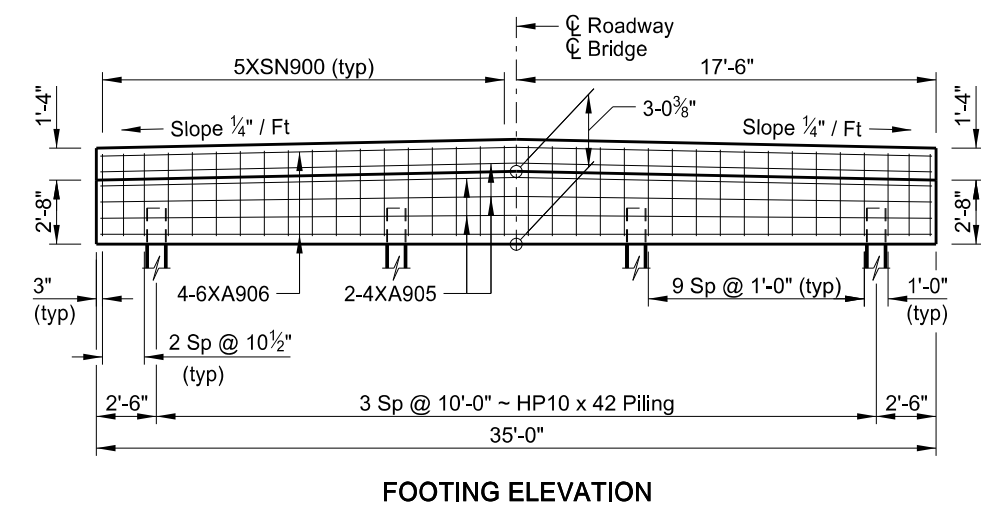
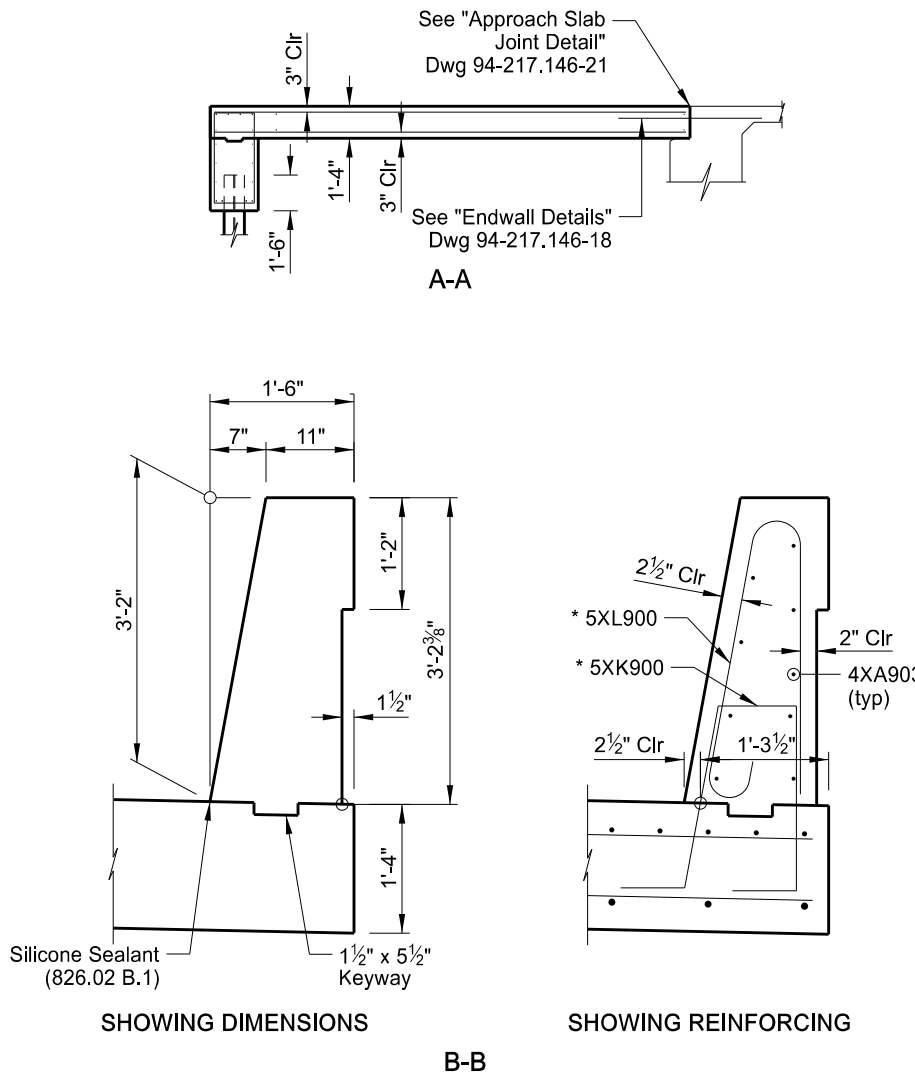
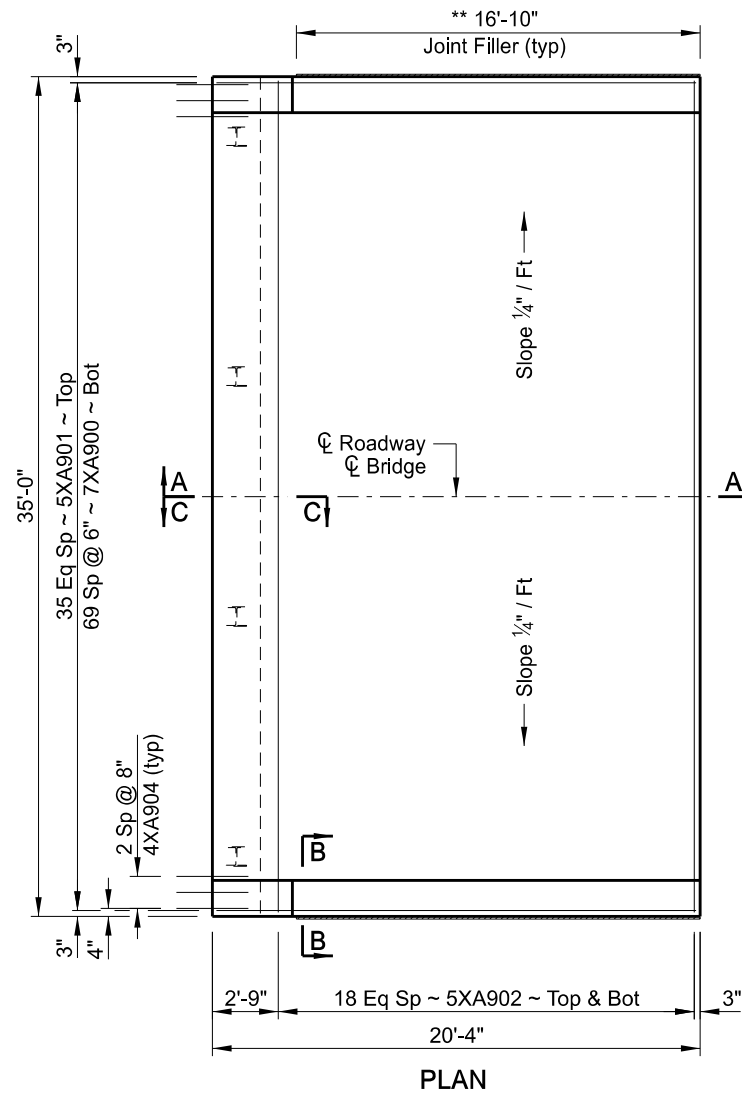


STATE	PROJECT NO.	SECTION NO.	SHEET NO.
ND	IM-2-094(186)217	170	20

** 1/2" x 16" Pref Exp Joint Filler
 Place between approach
 slab & abutment wing (typ).



This drawing
 is preliminary
 and not for
 construction or
 implementation
 purposes.

QUANTITIES	
SEE DWG 94-217.146-21	
I-94/PETTIBONE INTERCHANGE	
APPROACH SLAB DETAILS	
DRAWING NO.	94-217.146-20