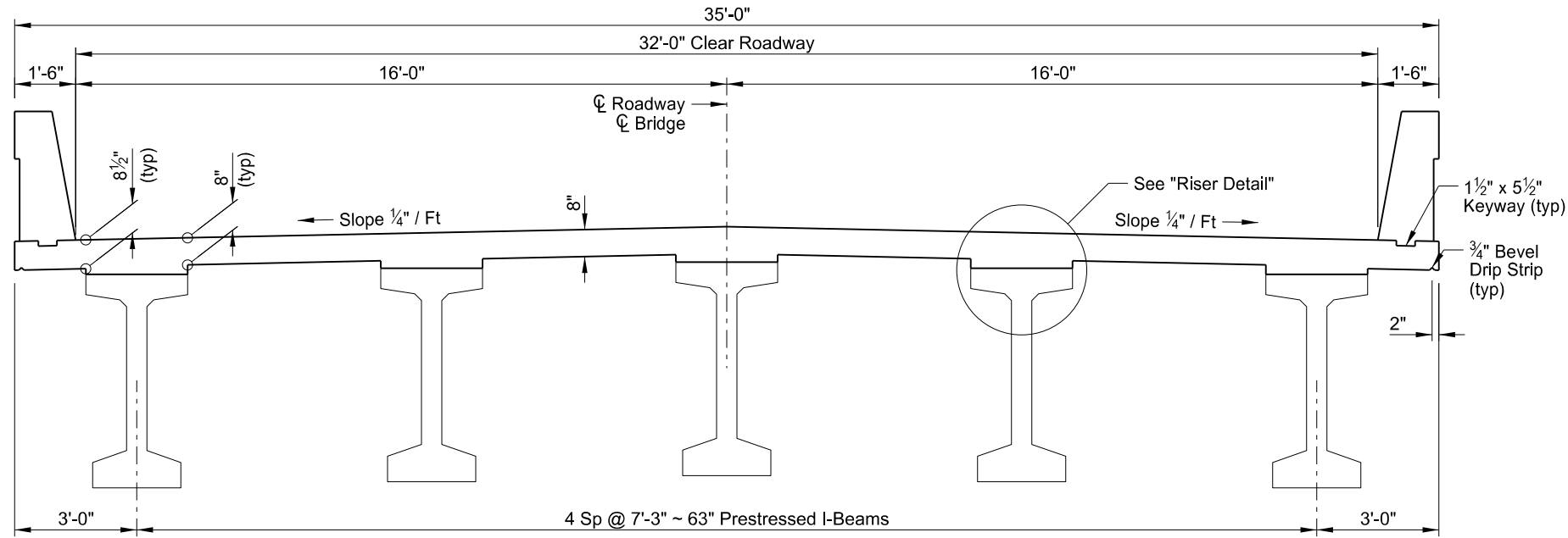
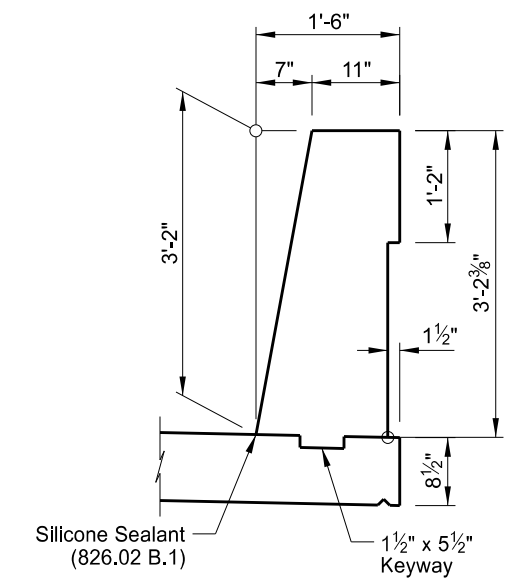


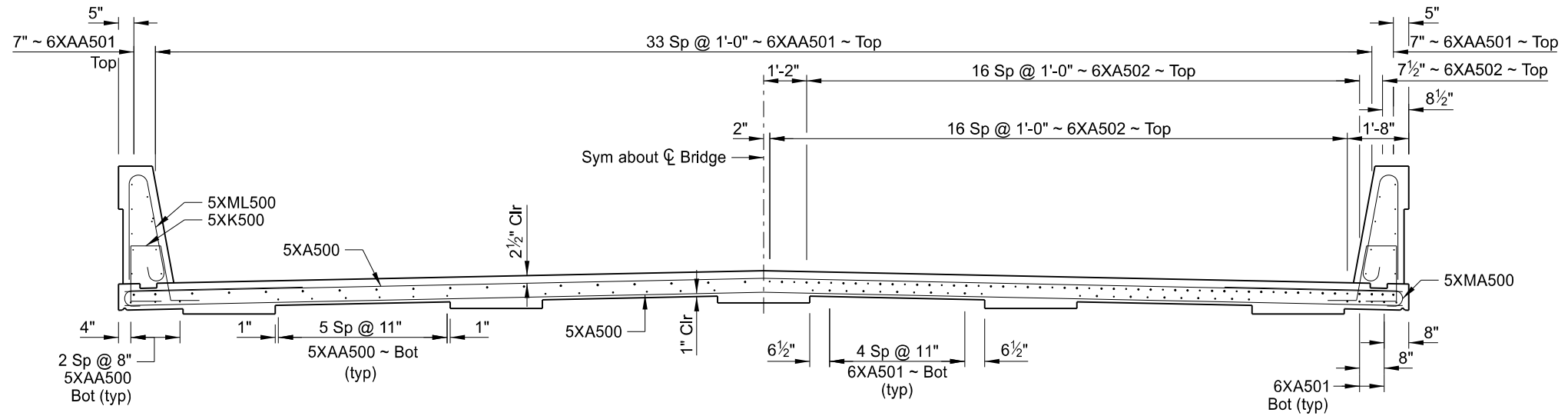
STATE	PROJECT NO.	SECTION NO.	SHEET NO.
ND	IM-2-094(186)217	170	19



(SHOWING DIMENSIONS)
SLAB SECTION



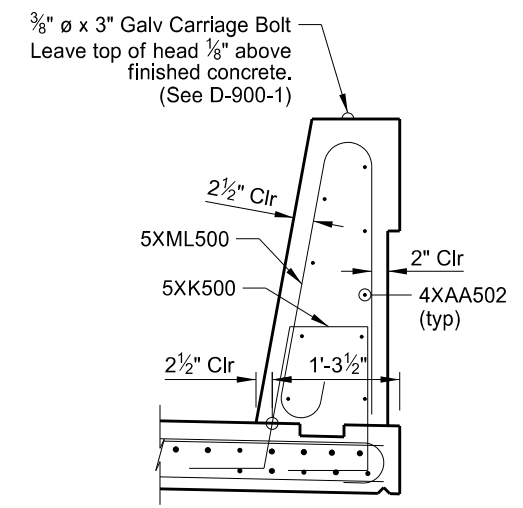
SHOWING DIMENSIONS



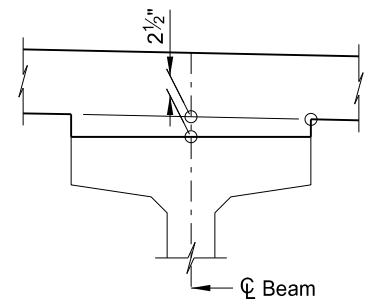
(SHOWING REINFORCING BETWEEN SUPPORTS)

SLAB SECTION

(SHOWING REINFORCING OVER PIERS)



SHOWING REINFORCING BARRIER DETAIL



RISER DETAIL

The 2 1/2" dimension shown is located at the supports. The anticipated midspan riser for span 1 is 1 1/2" and for span 2 is 3". Adjust the riser to maintain the 8" slab thickness.

This drawing is preliminary and not for construction or implementation purposes.

QUANTITIES	
BRIDGE DECK CONCRETE	298.6 CY
BRIDGE BARRIER CONCRETE	72.2 CY
REINFORCING STEEL (EPOXY)	70,103 LBS

I-94/PETTIBONE INTERCHANGE	
SLAB SECTION	
DRAWING NO.	94-217.146-19