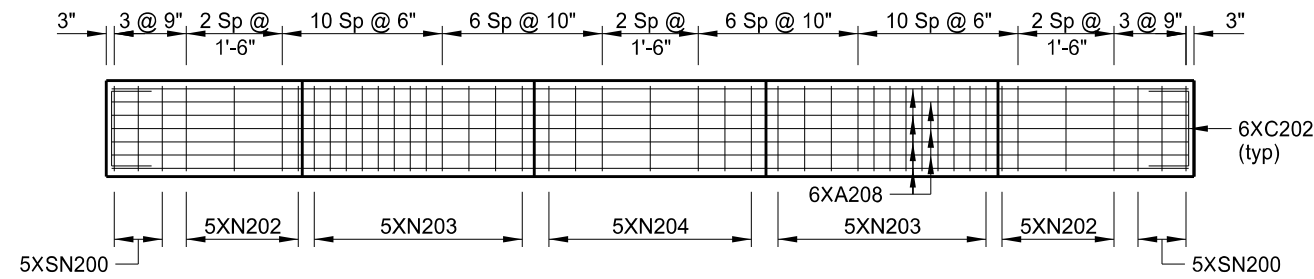
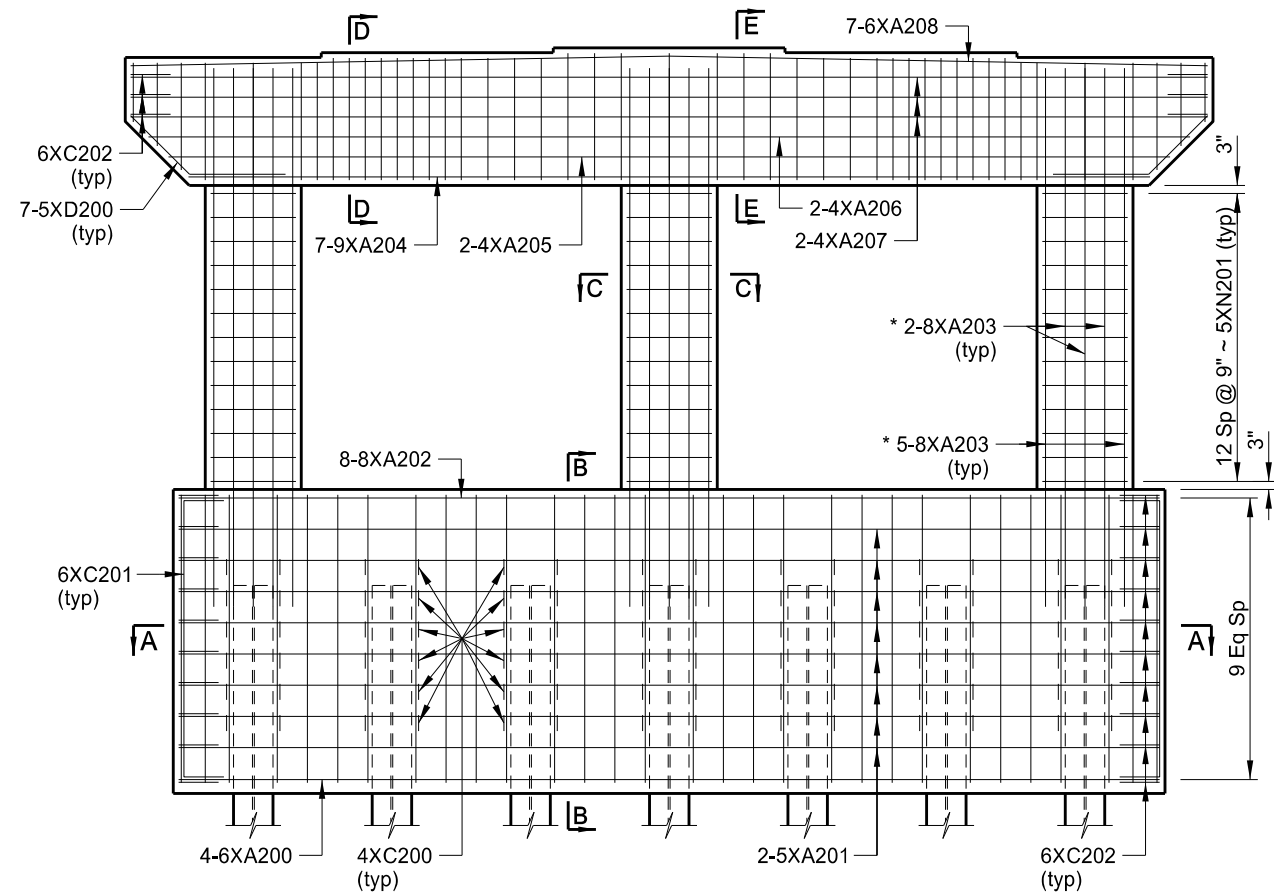


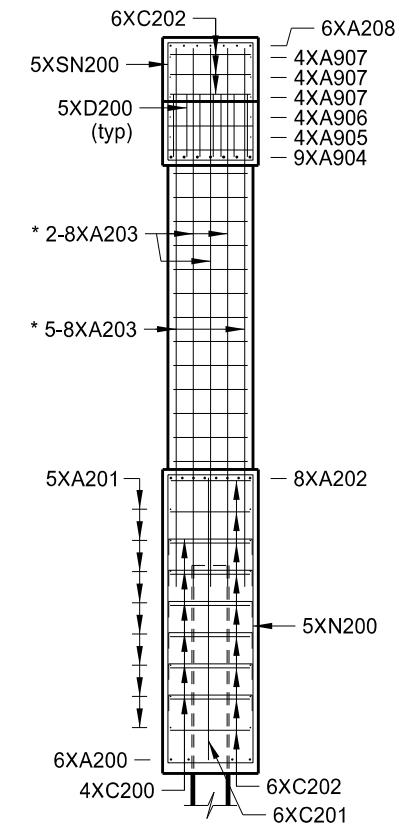
STATE	PROJECT NO.	SECTION NO.	SHEET NO.
ND	IM-2-094(186)217	170	11



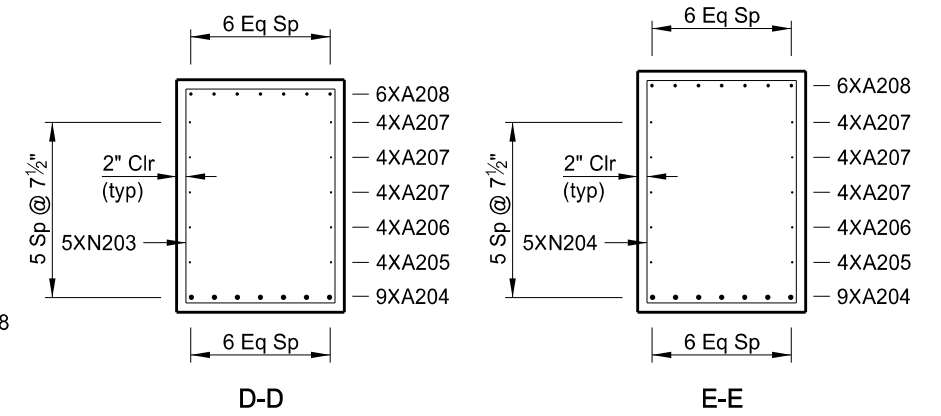
PLAN



ELEVATION

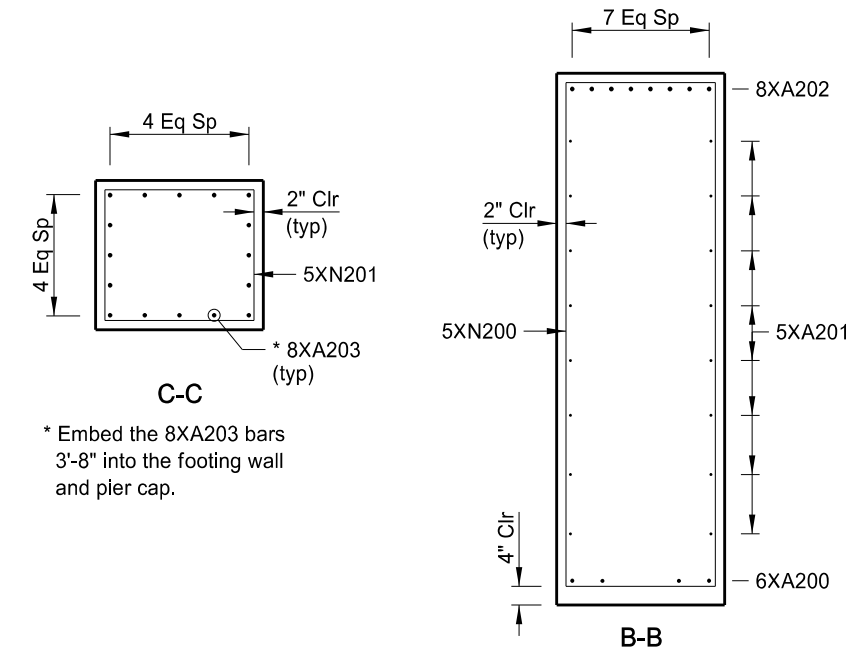


END VIEW



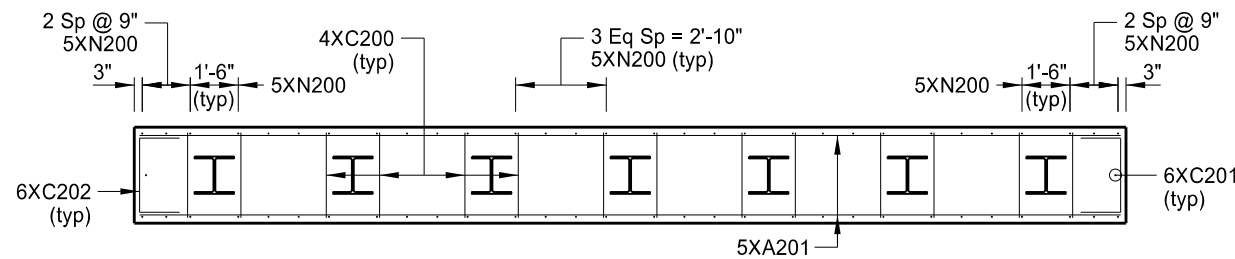
D-D

E-E



C-C

B-B



A-A

This drawing is preliminary and not for construction or implementation purposes.

QUANTITIES	(PIER)
BRIDGE SUBSTRUCTURE CONCRETE	56.3 CY
REINFORCING STEEL (EPOXY)	7,158 LBS
I-94/PETTIBONE INTERCHANGE (SHOWING REINFORCING) PIER DETAILS	
DRAWING NO.	94-217.146-11