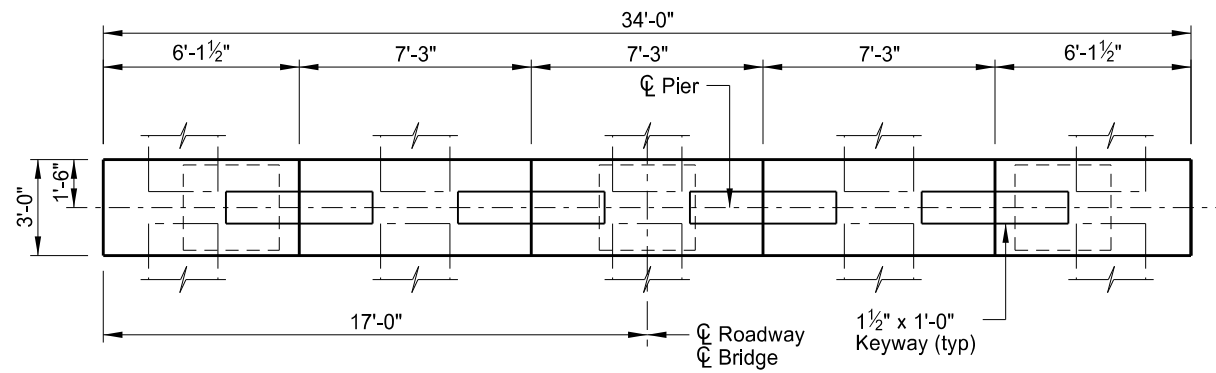
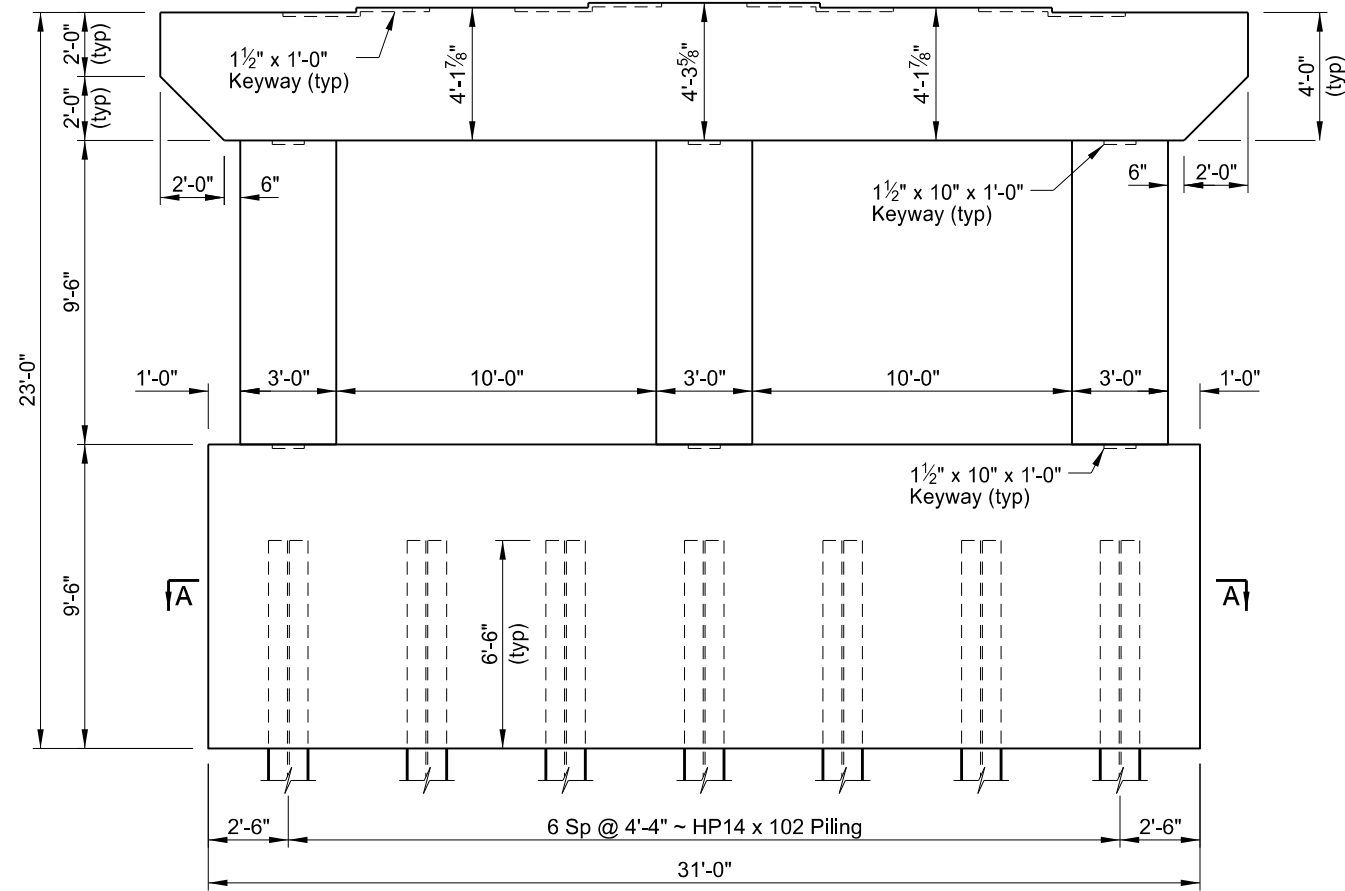


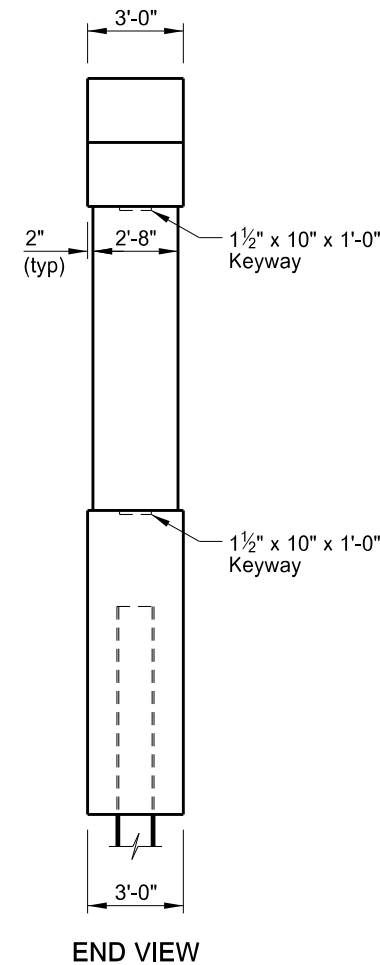
STATE	PROJECT NO.	SECTION NO.	SHEET NO.
ND	IM-2-094(186)217	170	10



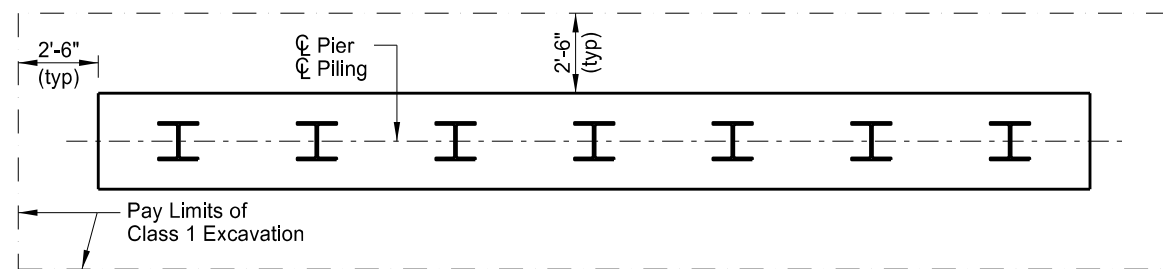
PLAN



ELEVATION



END VIEW



A-A

This drawing is preliminary and not for construction or implementation purposes.

QUANTITIES	
SEE DWG 94-217.146-11	
I-94/PETTIBONE INTERCHANGE (SHOWING DIMENSIONS) PIER DETAILS	
DRAWING NO.	94-217.146-10