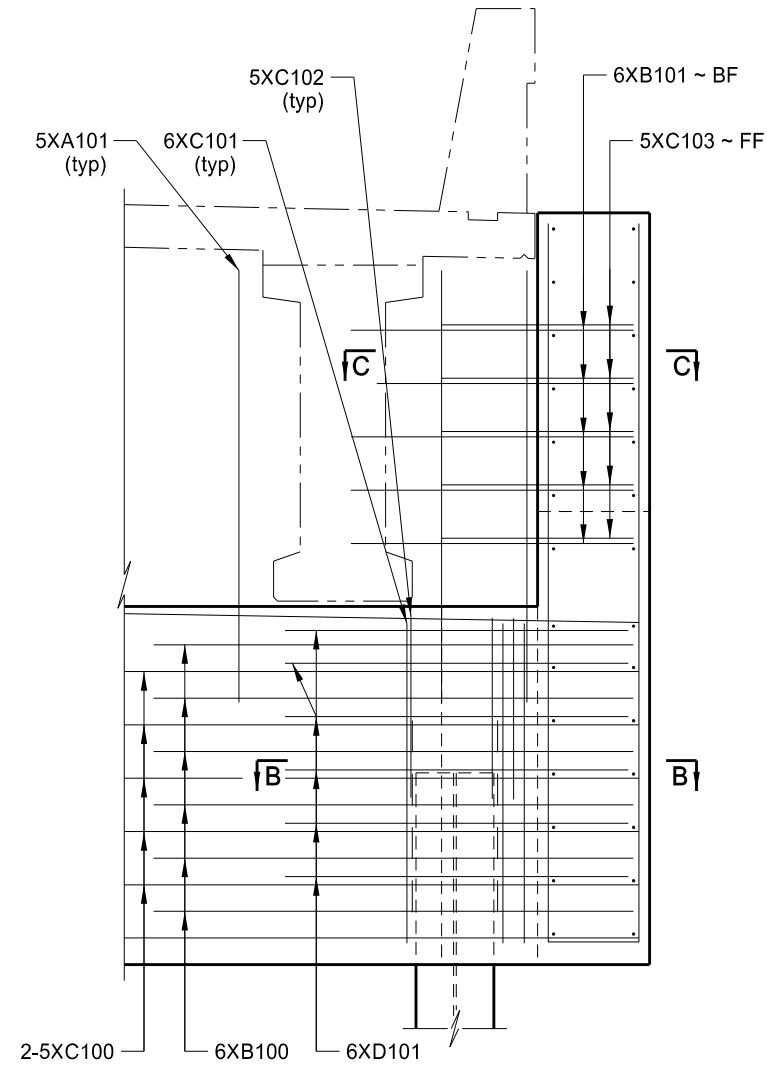
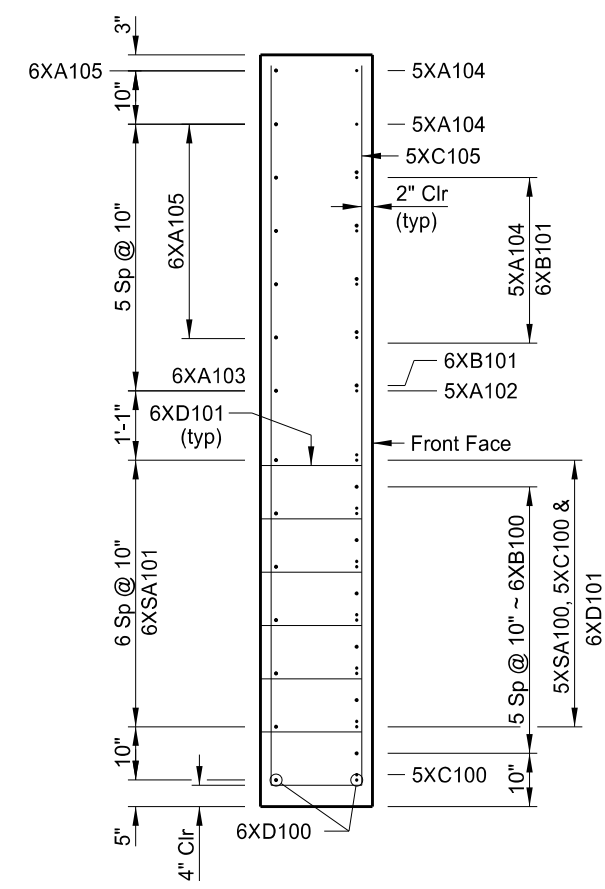


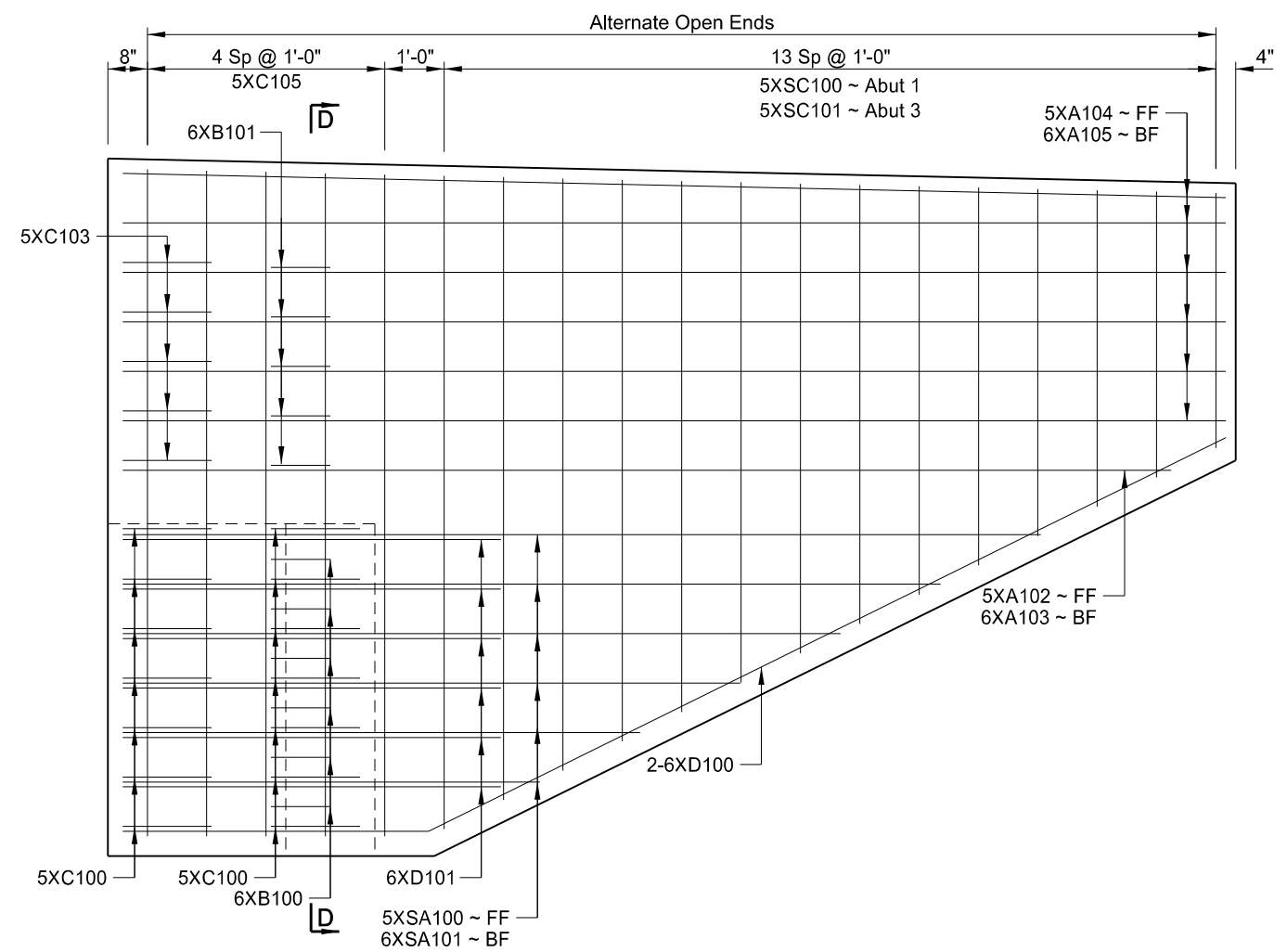
STATE	PROJECT NO.	SECTION NO.	SHEET NO.
ND	IM-2-094(186)217	170	9



PARTIAL ELEVATION



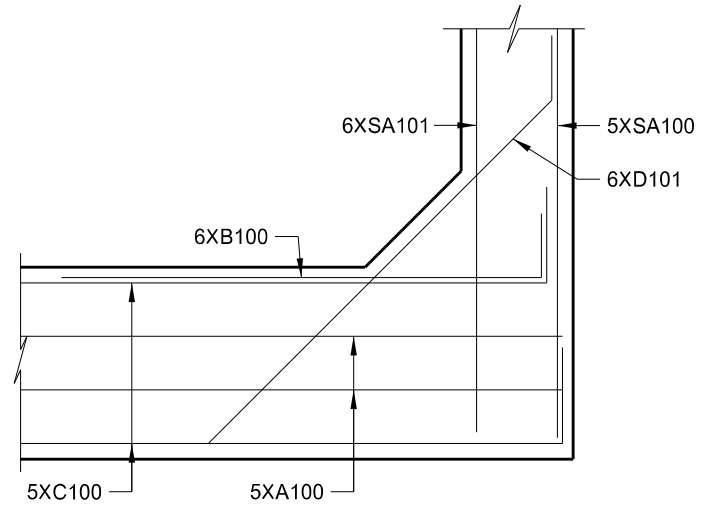
D-D



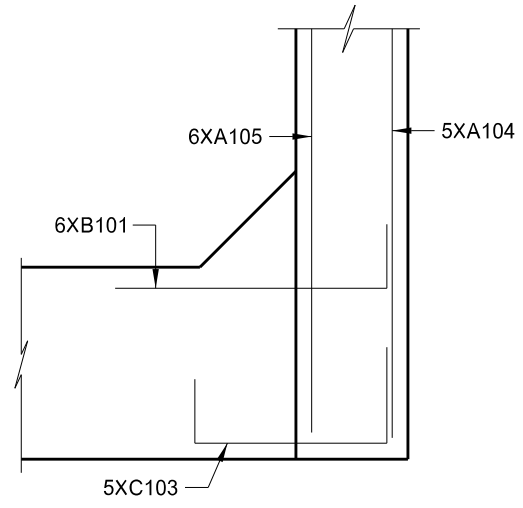
WING ELEVATION

NOMENCLATURE:

FF = Front Face
 BF = Back Face



B-B



C-C

This drawing is preliminary and not for construction or implementation purposes.

QUANTITIES (ABUTMENT 1)	
BRIDGE SUBSTRUCTURE CONCRETE	45.4 CY
REINFORCING STEEL (EPOXY)	4,914 LBS
QUANTITIES (ABUTMENT 3)	
BRIDGE SUBSTRUCTURE CONCRETE	45.8 CY
REINFORCING STEEL (EPOXY)	4,926 LBS

I-94/PETTIBONE INTERCHANGE
 (SHOWING REINFORCING)
 ABUTMENT DETAILS

DRAWING NO.	94-217.146-9
-------------	--------------