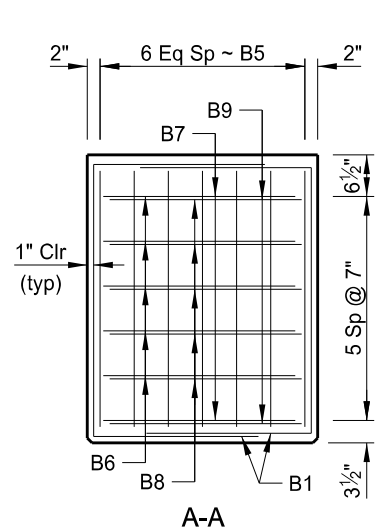
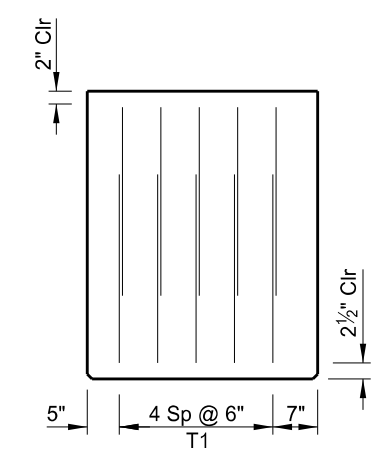


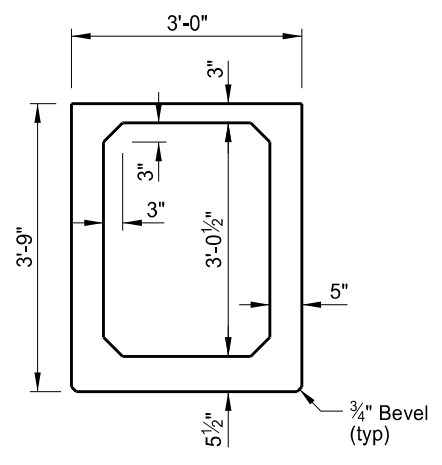
STATE	PROJECT NO.	SECTION NO.	SHEET NO.
ND	PROJECT NUMBER	SEC	PAGE



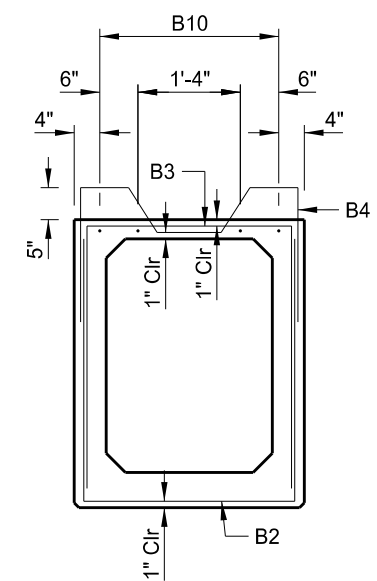
A-A



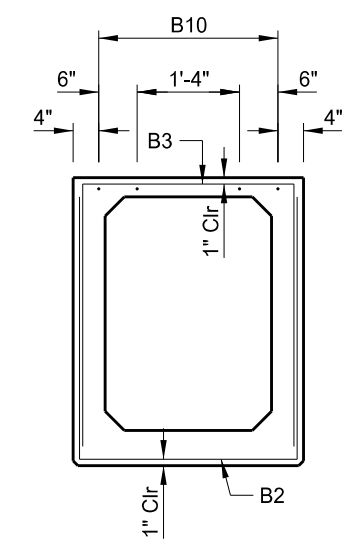
END VIEW



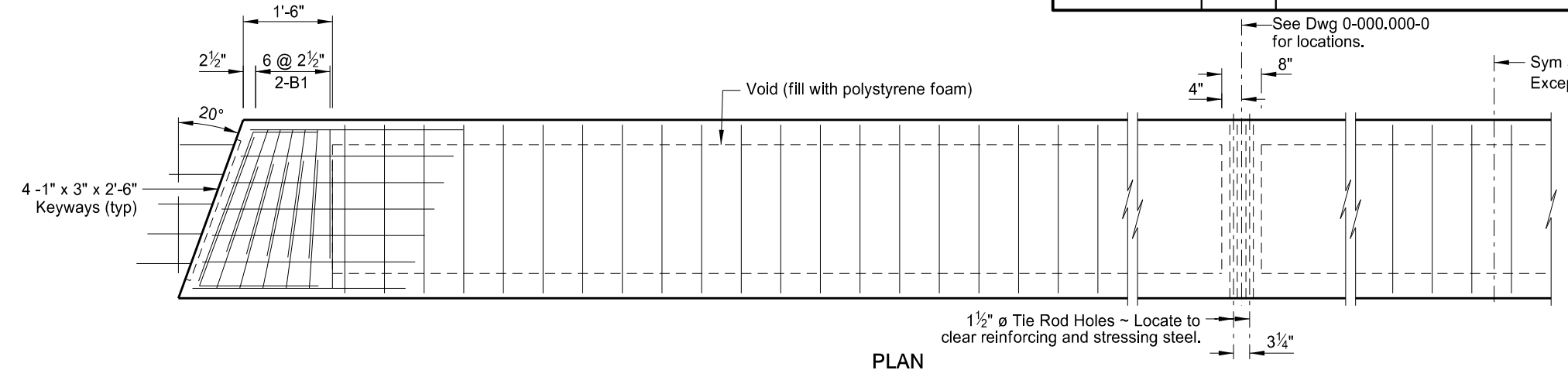
(SHOWING DIMENSIONS)
B-B



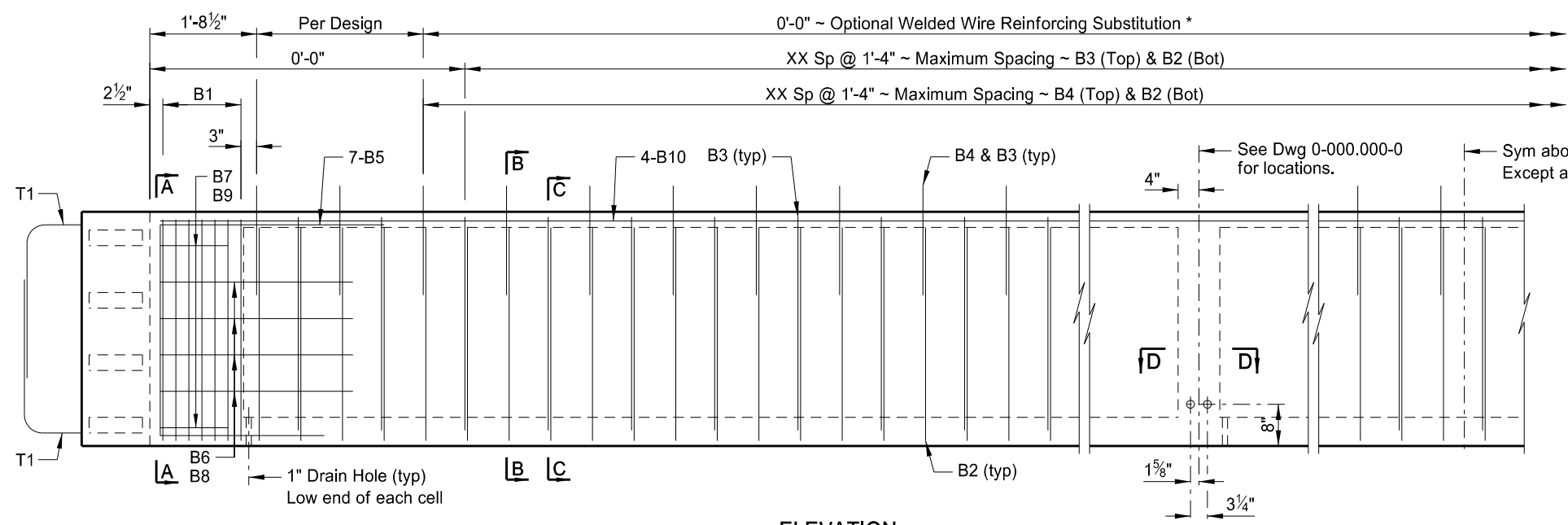
(SHOWING REINFORCING)
B-B



(SHOWING REINFORCING)
C-C



PLAN



ELEVATION

BAR LIST ~ ONE BEAM				
MARK	SIZE	NO.	LENGTH	SHAPE
B1	4	28	7'- 11"	BENT
* B2	4	0	9'- 8"	BENT
* B3	4	0	9'- 8"	BENT
*** B4	4	0	7'- 0"	BENT
B5	5	12	9'- 7"	BENT
B6	4	8	5'- 9"	BENT
B7	4	4	3'- 9"	BENT
B8	4	8	6'- 8"	BENT
B9	4	4	4'- 8"	BENT
B10	4	0	0'- 0"	STR
** T1	4	20	5'- 0"	STR

* Welded Wire Reinforcing with minimum circumferential steel area of 0.15 sq in per ft may be substituted for B2 and B3 bars.
 ** Field bend as shown with a 2.5" minimum bar bend diameter.
 *** Epoxy Coated

This drawing is preliminary and not for construction or implementation purposes.

NOTE:
See Dwg 0-000.000-0 for Section D-D.

LOCATION	
0'-0" BEAM LENGTH	
PRE-TENSIONED 45" X 36" PRESTRESSED SPREAD BOX BEAM	
DRAWING NO.	BN-page