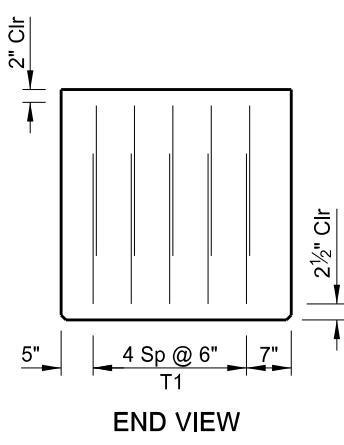
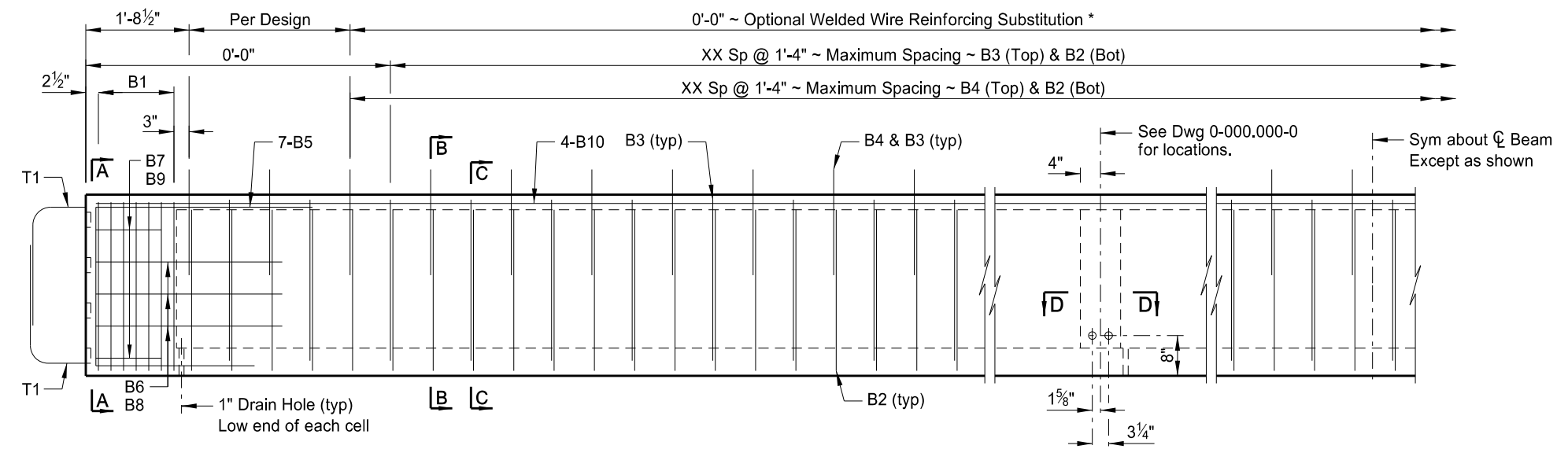


PLAN



END VIEW



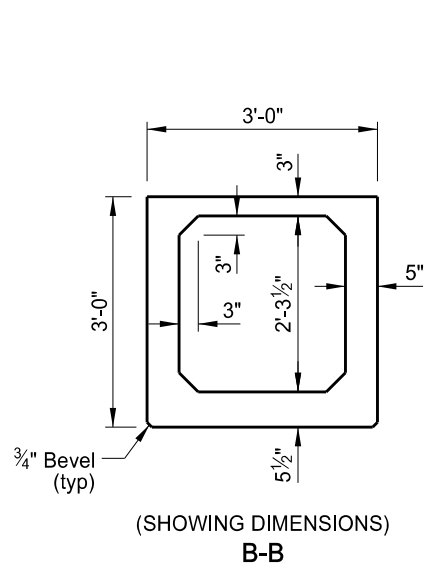
ELEVATION

| BAR LIST ~ ONE BEAM | | | | |
|---------------------|------|-----|---------|-------|
| MARK | SIZE | NO. | LENGTH | SHAPE |
| B1 | 4 | 28 | 7'- 2" | BENT |
| * B2 | 4 | 0 | 8'- 2" | BENT |
| * B3 | 4 | 0 | 8'- 2" | BENT |
| *** B4 | 4 | 0 | 7'- 0" | BENT |
| B5 | 5 | 12 | 8'- 10" | BENT |
| B6 | 4 | 6 | 5'- 7" | BENT |
| B7 | 4 | 4 | 3'- 7" | BENT |
| B8 | 4 | 4 | 5'- 7" | BENT |
| B9 | 4 | 4 | 3'- 7" | BENT |
| B10 | 4 | 0 | 0'- 0" | STR |
| ** T1 | 4 | 20 | 4'- 8" | STR |

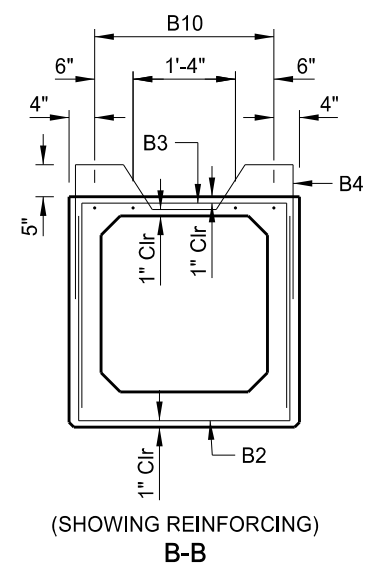
* Welded Wire Reinforcing with minimum circumferential steel area of 0.15 sq in per ft may be substituted for B2 and B3 bars.
 ** Field bend as shown with a 2.5" minimum bar bend diameter.
 *** Epoxy Coated

This drawing is preliminary and not for construction or implementation purposes.

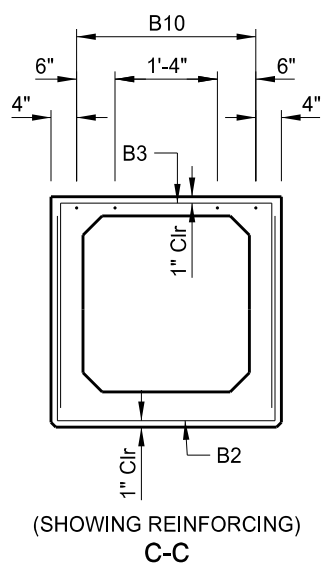
NOTE:
 See Dwg 0-000.000-0 for Section D-D.



(SHOWING DIMENSIONS)
 B-B



(SHOWING REINFORCING)
 B-B



(SHOWING REINFORCING)
 C-C

| | |
|-----------------------------|---------|
| LOCATION | |
| 0'-0" BEAM LENGTH | |
| PRE-TENSIONED 36" x 36" | |
| PRESTRESSED SPREAD BOX BEAM | |
| DRAWING NO. | BN-page |