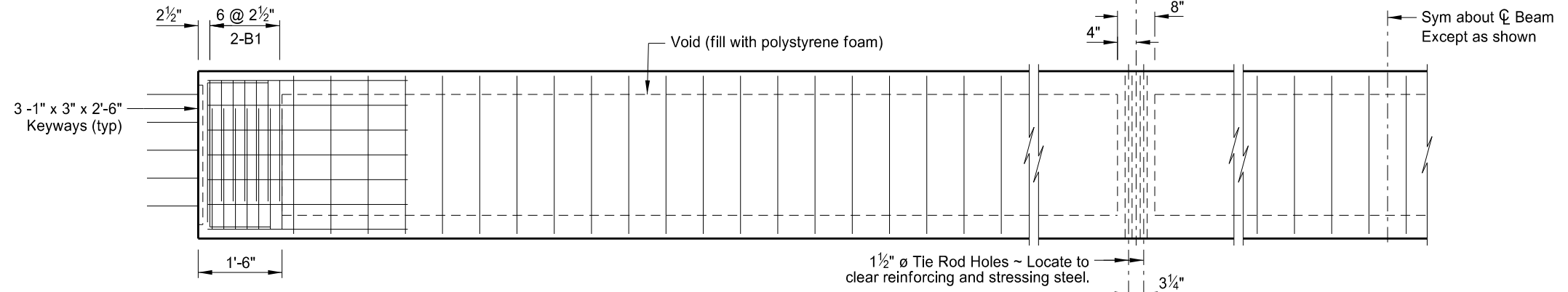
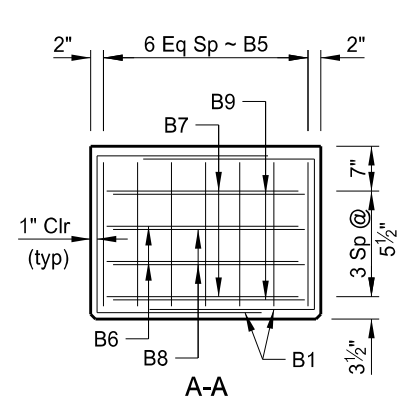
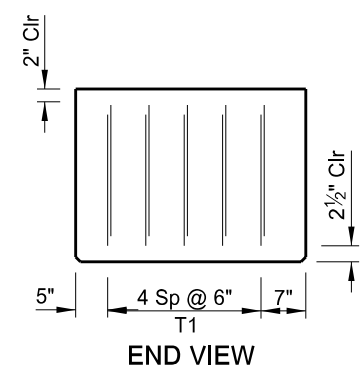


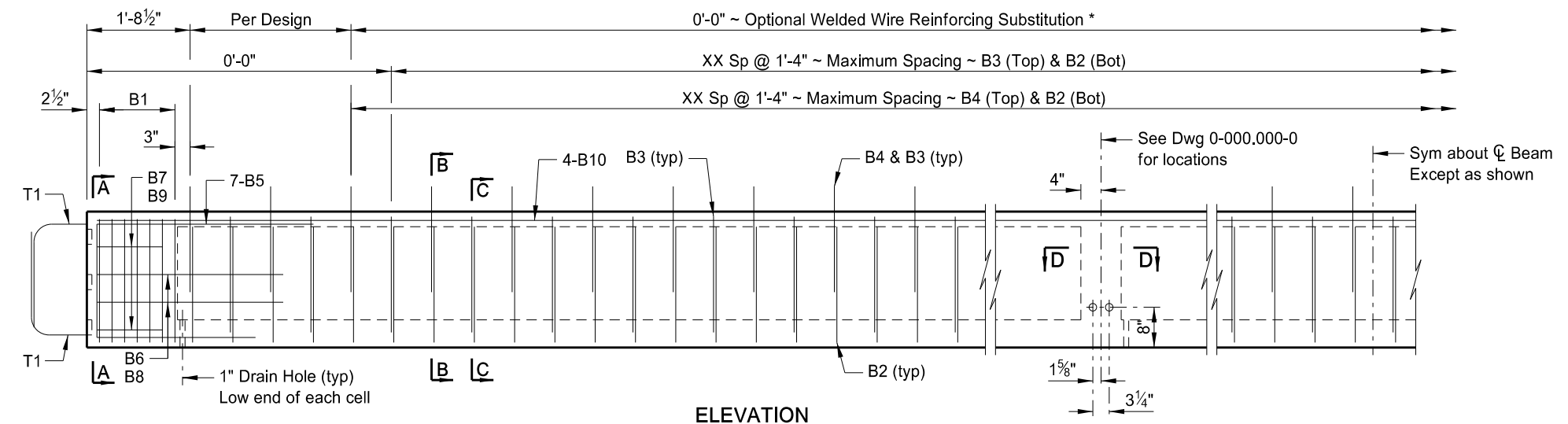
	STATE	PROJECT NO.	SECTION NO.	SHEET NO.
	ND	PROJECT NUMBER	SEC	PAGE



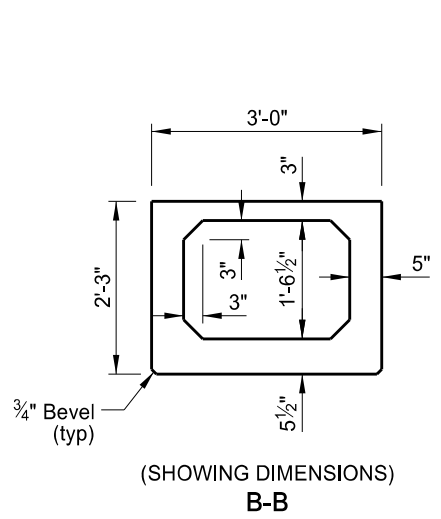
PLAN



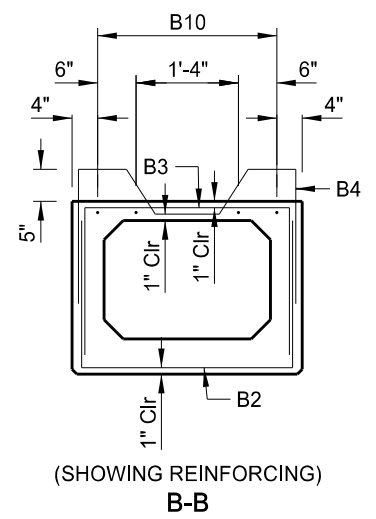
END VIEW



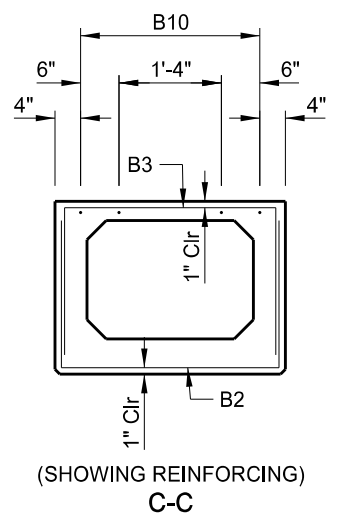
ELEVATION



(SHOWING DIMENSIONS)
B-B



(SHOWING REINFORCING)
B-B



(SHOWING REINFORCING)
C-C

BAR LIST ~ ONE BEAM				
MARK	SIZE	NO.	LENGTH	SHAPE
B1	4	28	6'-5"	BENT
* B2	4	0	6'-8"	BENT
* B3	4	0	6'-8"	BENT
*** B4	4	0	7'-0"	BENT
B5	5	12	8'-1"	BENT
B6	4	4	5'-7"	BENT
B7	4	4	3'-7"	BENT
B8	4	4	5'-7"	BENT
B9	4	4	3'-7"	BENT
B10	4	0	0'-0"	STR
** T1	4	20	4'-3"	STR

* Welded Wire Reinforcing with minimum circumferential steel area of 0.15 sq in per ft may be substituted for B2 and B3 bars.
** Field bend as shown with a 2.5" minimum bar bend diameter.
*** Epoxy Coated

This drawing is preliminary and not for construction or implementation purposes.

NOTE:
See Dwg 0-000.000-0 for Section D-D.

LOCATION	
0'-0" BEAM LENGTH	
PRE-TENSIONED 27" x 36" PRESTRESSED SPREAD BOX BEAM	
DRAWING NO.	BN-page