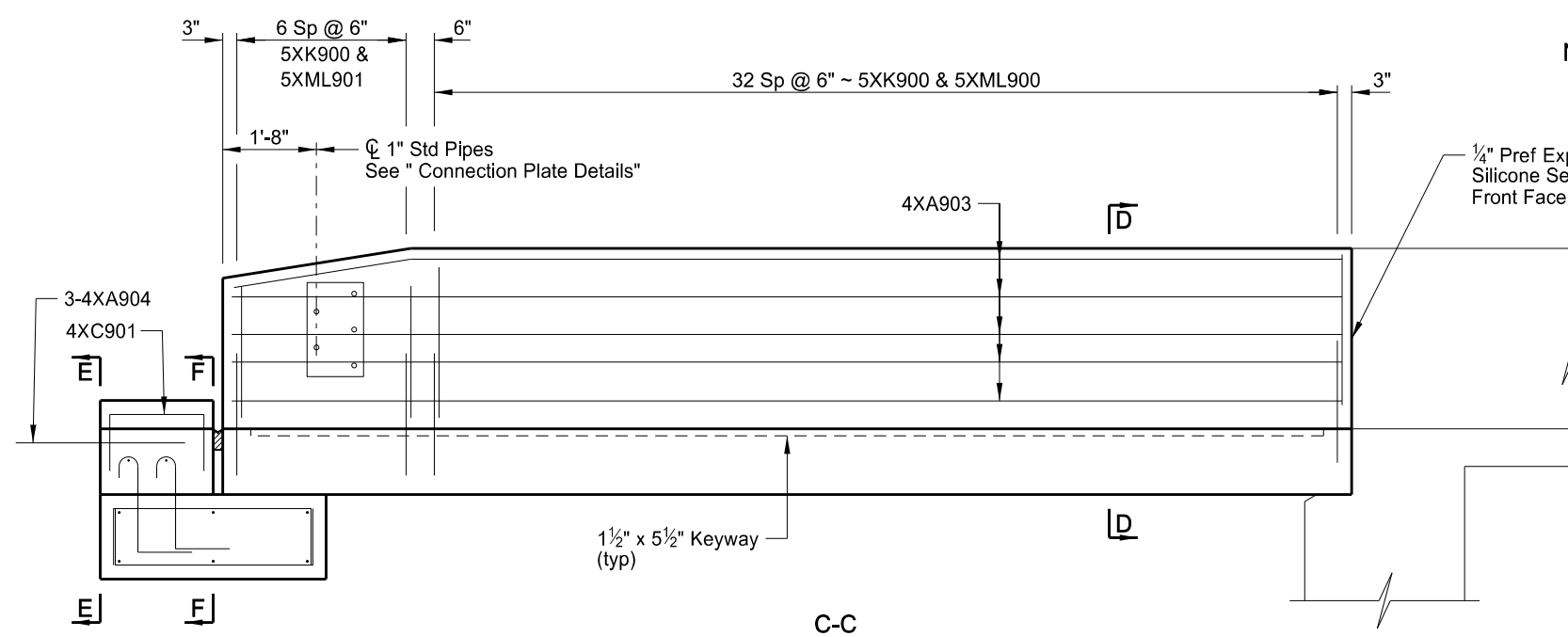


REVISED 2-19-2026	STATE	PROJECT NO.	SECTION NO.	SHEET NO.
	ND	SS-5-085(086)012	170	23

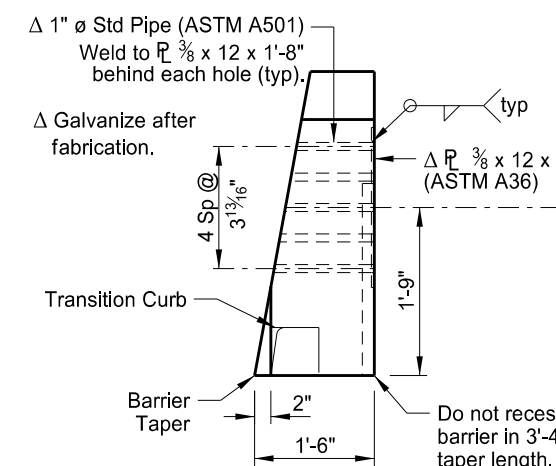


**NOTES:**

The estimated material quantities shown are for information purposes only. Include the concrete, reinforcing bars, polyethylene film, preformed joint filler, polystyrene, silicone sealant, connection plates and pipes, and labor required to build the approach slabs and barriers in the Approach Slab pay item. Use concrete that meets the requirements of Section 602. Provide reinforcing steel that meets the requirements of Section 612. Use polyethylene film that meets the requirements of ASTM C171.

**ESTIMATED MATERIAL QUANTITIES (One End)**

CONCRETE (approach slab)	42.9 CY
REINFORCING STEEL (approach slab)	7,494 LBS
CONCRETE (sleeper slab & header)	13.3 CY
REINFORCING (sleeper slab & header)	819 LBS

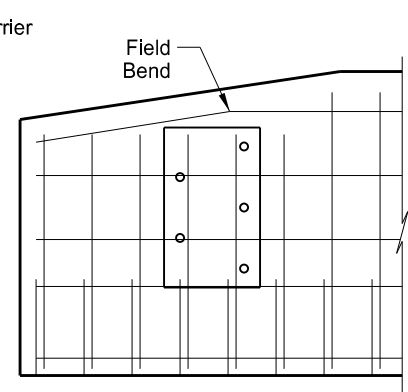


SHOWING DIMENSIONS

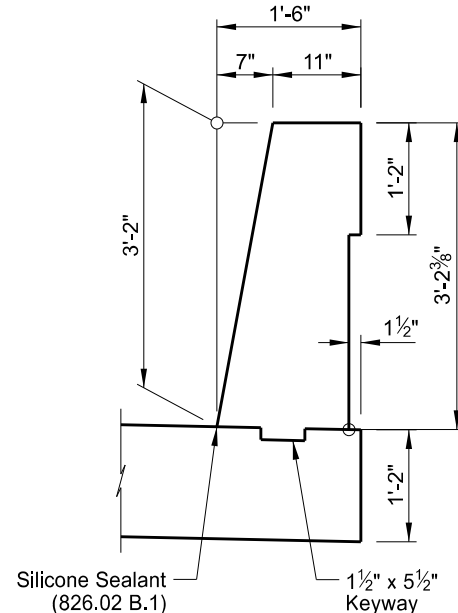
(SHOWING BACK FACE)  
CONNECTION PLATE DETAILS

**NOTE:**

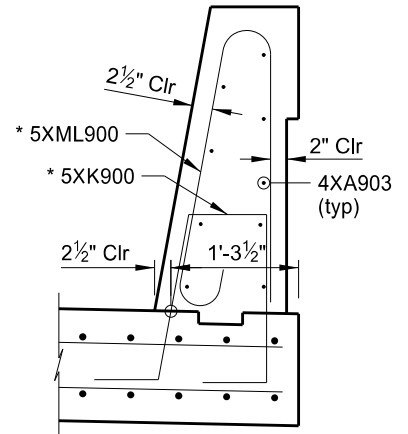
See "A-A" Dwg 85-012.747-16 for Form Liner Limits.



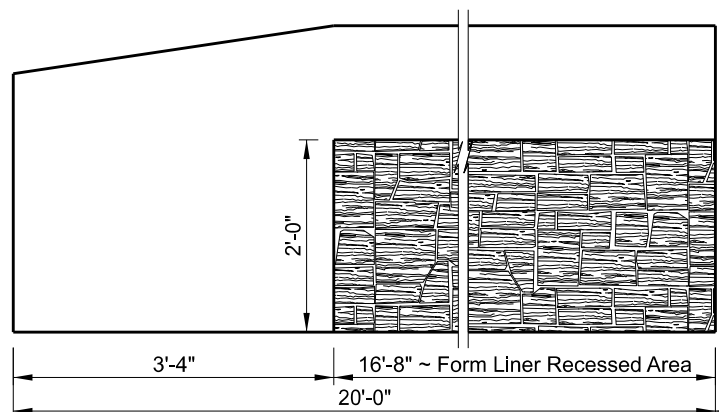
SHOWING REINFORCING



SHOWING DIMENSIONS

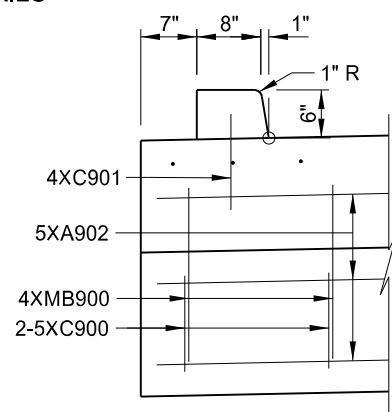


SHOWING REINFORCING

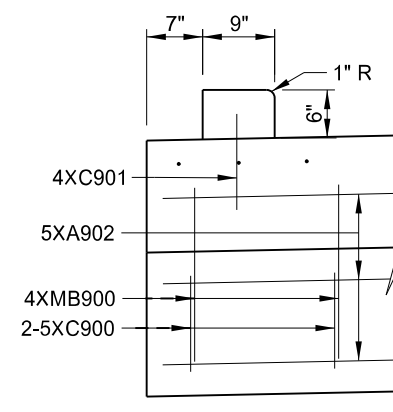


(SHOWING FORM LINER ~ BACK FACE)  
BARRIER ELEVATION

Begin or End Bridge



E-E



F-F

This drawing is preliminary and not for construction or implementation purposes.

**D-D**

**NOTE:**

See Dwg 85-012.747-21 for Sections C-C and B-B locations.

QUANTITIES	(ONE END)
APPROACH SLAB	95.6 SY
CONCRETE SLEEPER SLAB	19 SY
POLYURETHANE FOAM JOINT SEAL	41 LF

SPRING CREEK  
4 SOUTH OF JCT US 12  
APPROACH SLAB DETAILS

DRAWING NO.	85-012.747-23
-------------	---------------