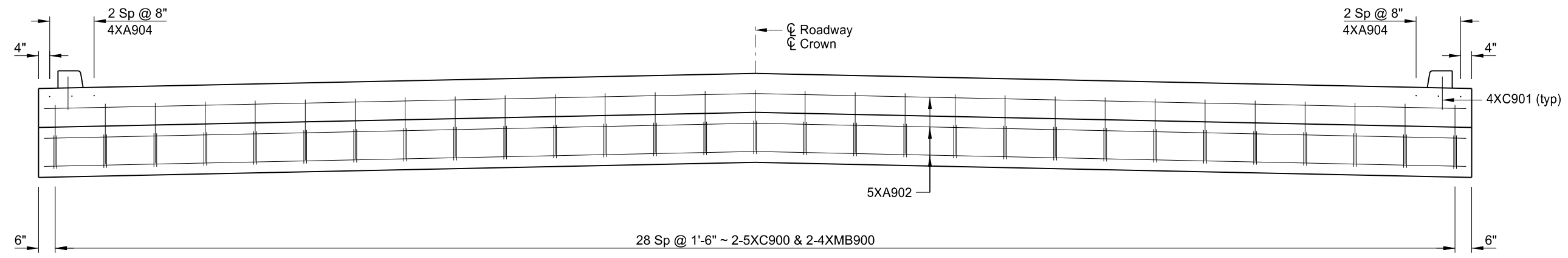
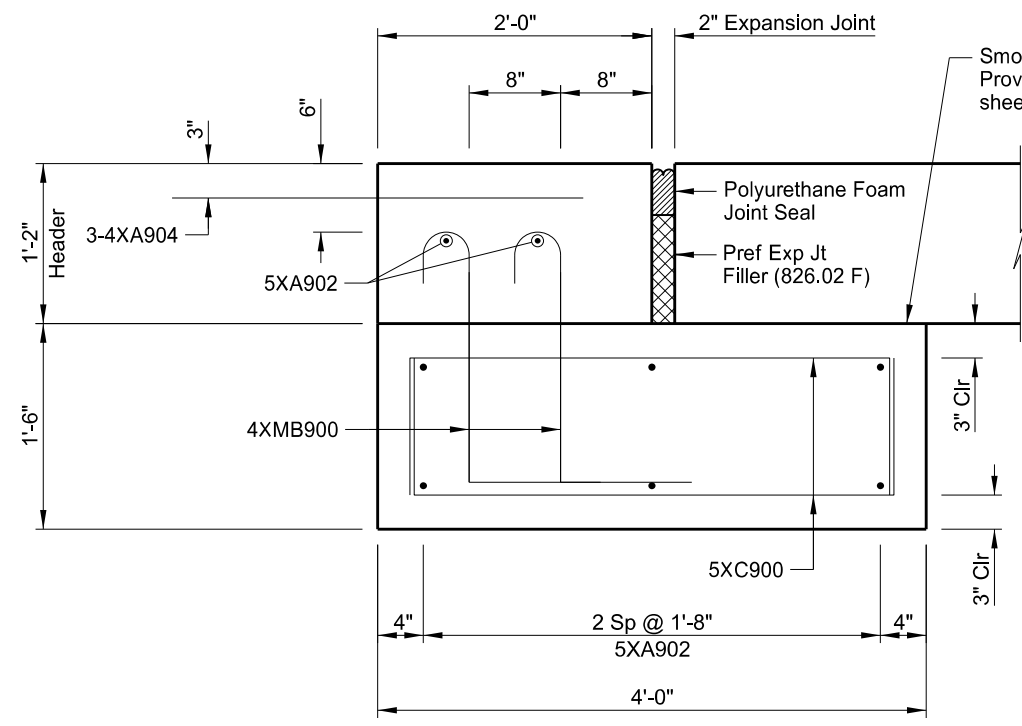


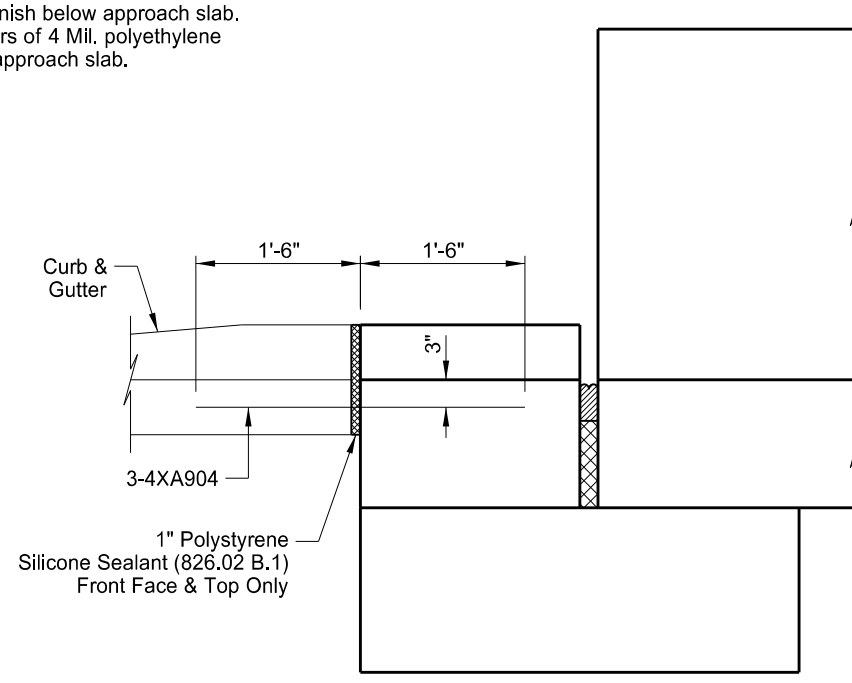
STATE	PROJECT NO.	SECTION NO.	SHEET NO.
ND	SS-5-085(086)012	170	22



ELEVATION



CONCRETE SLEEPER SLAB



DETAIL "A"

NOTE:
 See Dwg 85-012.747-21 for Detail "A" location.

This drawing is preliminary and not for construction or implementation purposes.

SPRING CREEK 4 SOUTH OF JCT US 12 CONCRETE SLEEPER SLAB	
DRAWING NO.	85-012.747-22