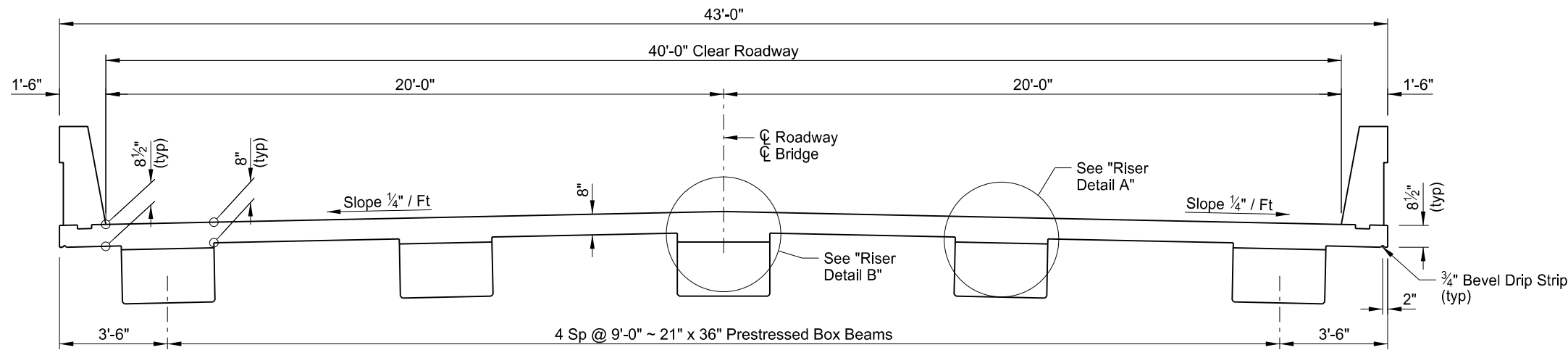
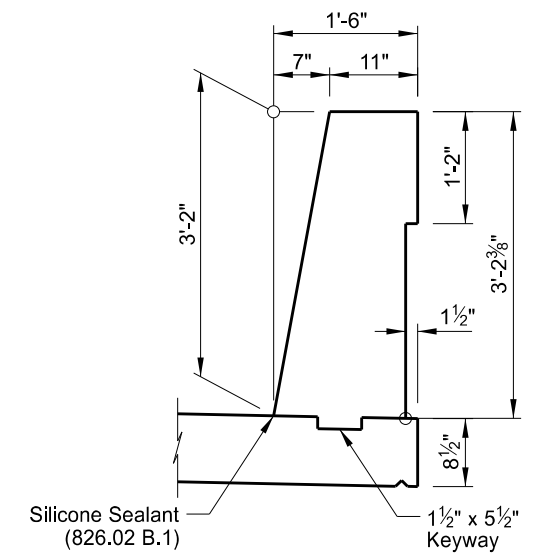


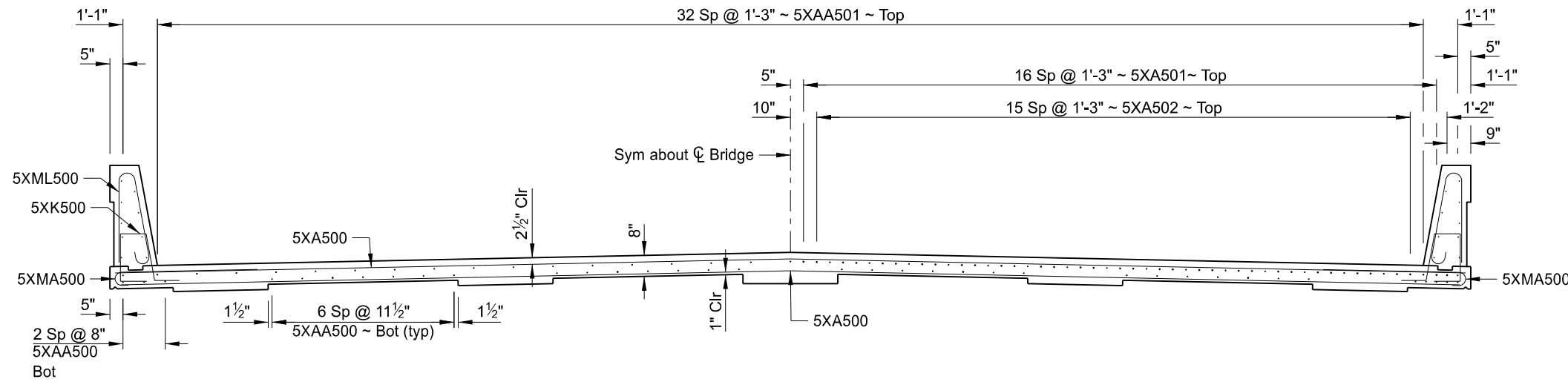
STATE	PROJECT NO.	SECTION NO.	SHEET NO.
ND	SS-5-085(086)012	170	19



(SHOWING DIMENSIONS)
SLAB SECTION



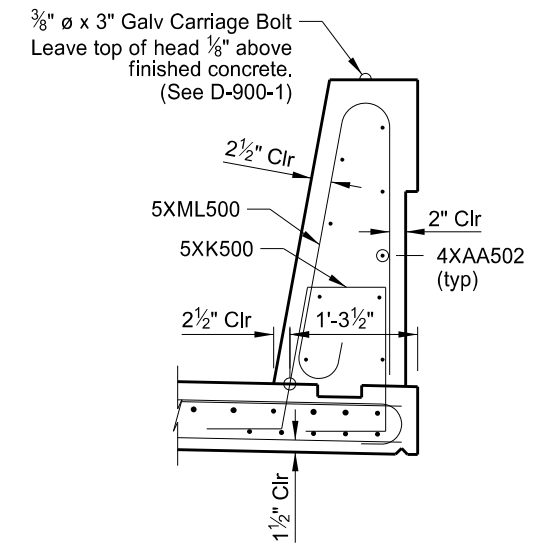
SHOWING DIMENSIONS



(SHOWING REINFORCING BETWEEN SUPPORTS)

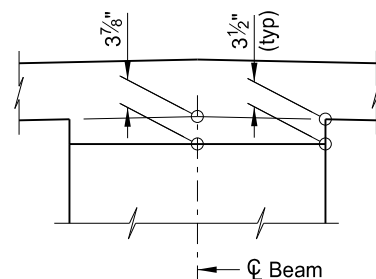
(SHOWING REINFORCING OVER PIERS)

SLAB SECTION



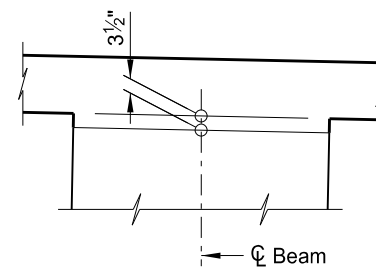
SHOWING REINFORCING
BARRIER DETAIL

The 3 7/8" and 3 1/2" dimensions shown are located at the supports. The anticipated midspan riser is 1 1/2". Adjust the riser to maintain the 8" slab thickness.



RISER DETAIL B

The 3 1/2" dimensions shown are located at the supports. The anticipated midspan riser is 1 1/2". Adjust the riser to maintain the 8" slab thickness.



RISER DETAIL A

This drawing is preliminary and not for construction or implementation purposes.

QUANTITIES	
BRIDGE DECK CONCRETE	225.4 CY
BRIDGE BARRIER CONCRETE	48.3 CY
REINFORCING STEEL (EPOXY)	52,016 LBS

SPRING CREEK
4 SOUTH OF JCT US 12
SLAB SECTION

DRAWING NO.	85-012.747-19
-------------	---------------