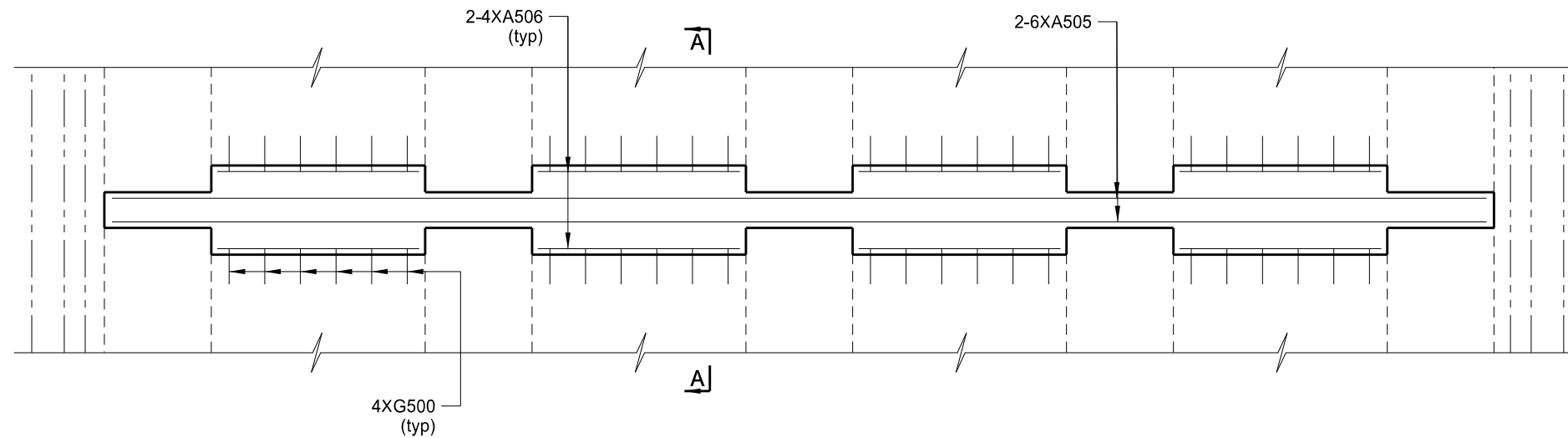
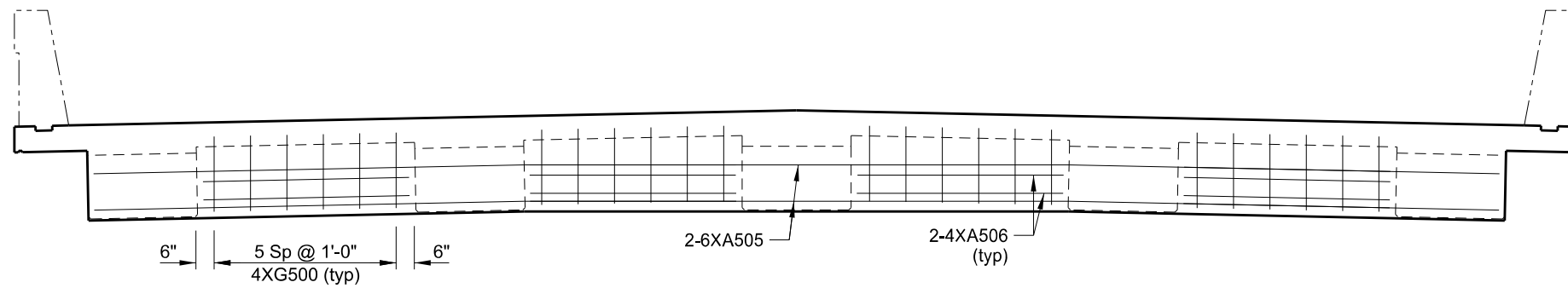
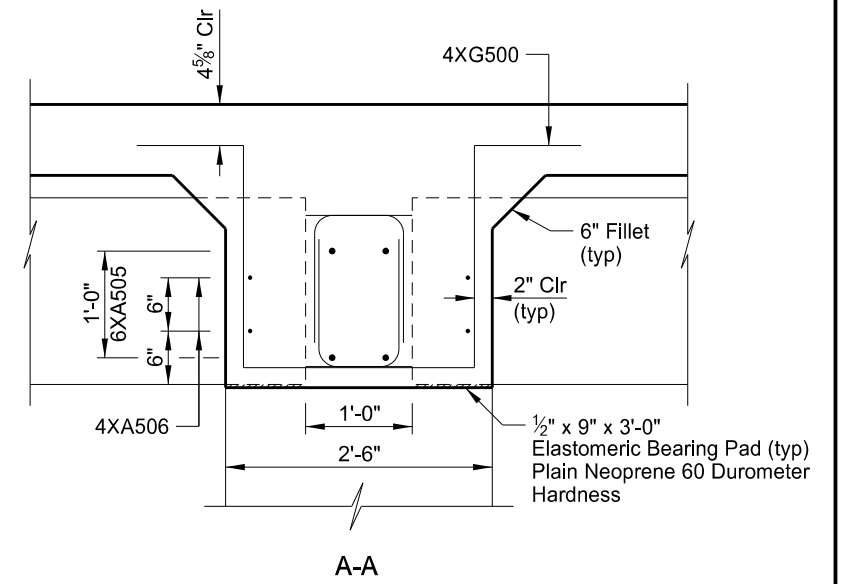


STATE	PROJECT NO.	SECTION NO.	SHEET NO.
ND	SS-5-085(086)012	170	17



PLAN



ELEVATION

This drawing
 is preliminary
 and not for
 construction or
 implementation
 purposes.

QUANTITIES	
SEE DWG 85-012.747-19	
SPRING CREEK 4 SOUTH OF JCT US 12	
PIER DIAPHRAGM DETAILS	
DRAWING NO.	85-012.747-17