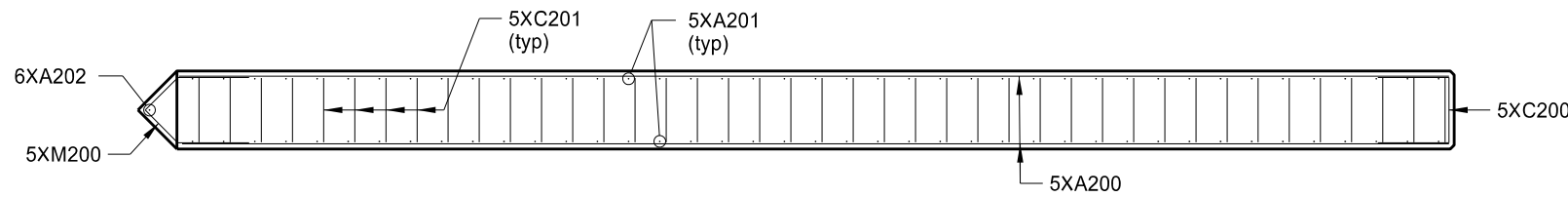
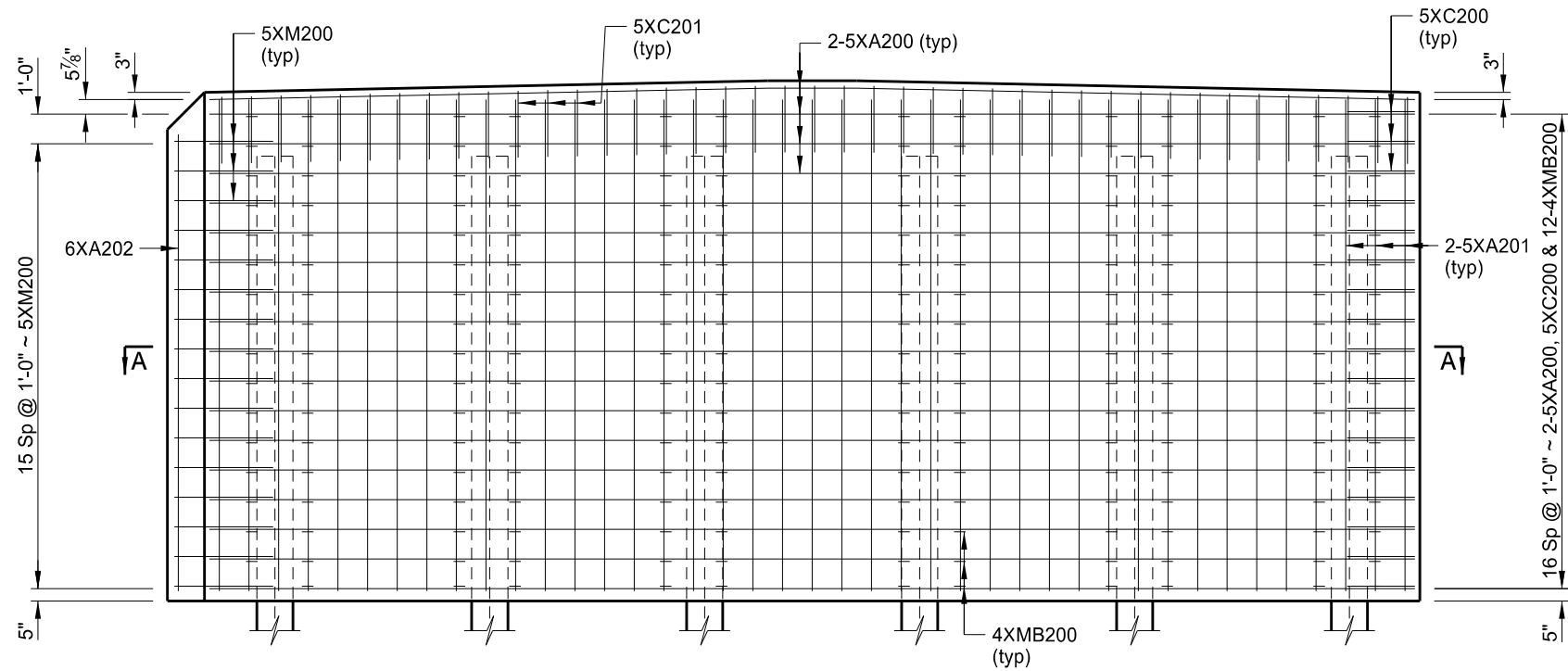


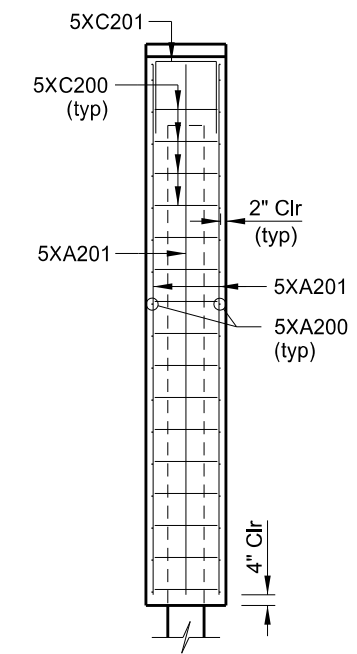
REVISED 2-19-2026	STATE	PROJECT NO.	SECTION NO.	SHEET NO.
	ND	SS-5-085(086)012	170	12



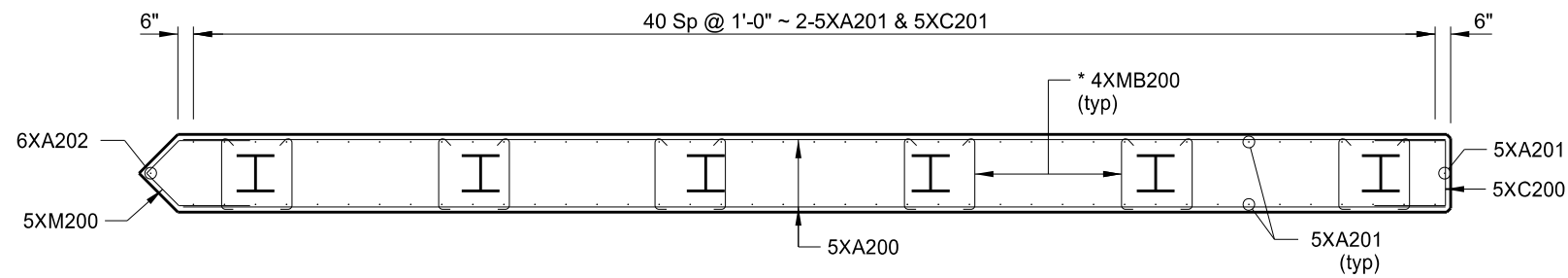
PLAN



ELEVATION



END VIEW



A-A

* Alternate the 90° and 135° hook position at each layer.

This drawing is preliminary and not for construction or implementation purposes.

QUANTITIES	(ONE PIER)
BRIDGE SUBSTRUCTURE CONCRETE	66.9 CY
REINFORCING STEEL	3,998 LBS
STRUCTURAL STEEL	508 LBS

SPRING CREEK
 4 SOUTH OF JCT US 12
 (SHOWING REINFORCING)
 PIER DETAILS

DRAWING NO.	85-012.747-12
-------------	---------------