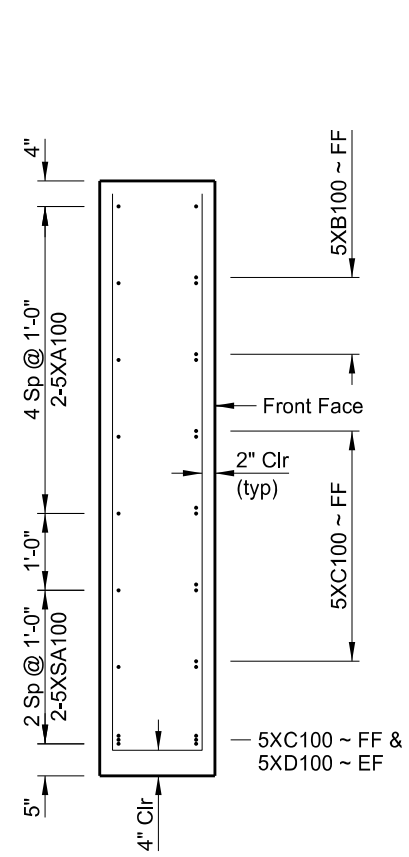
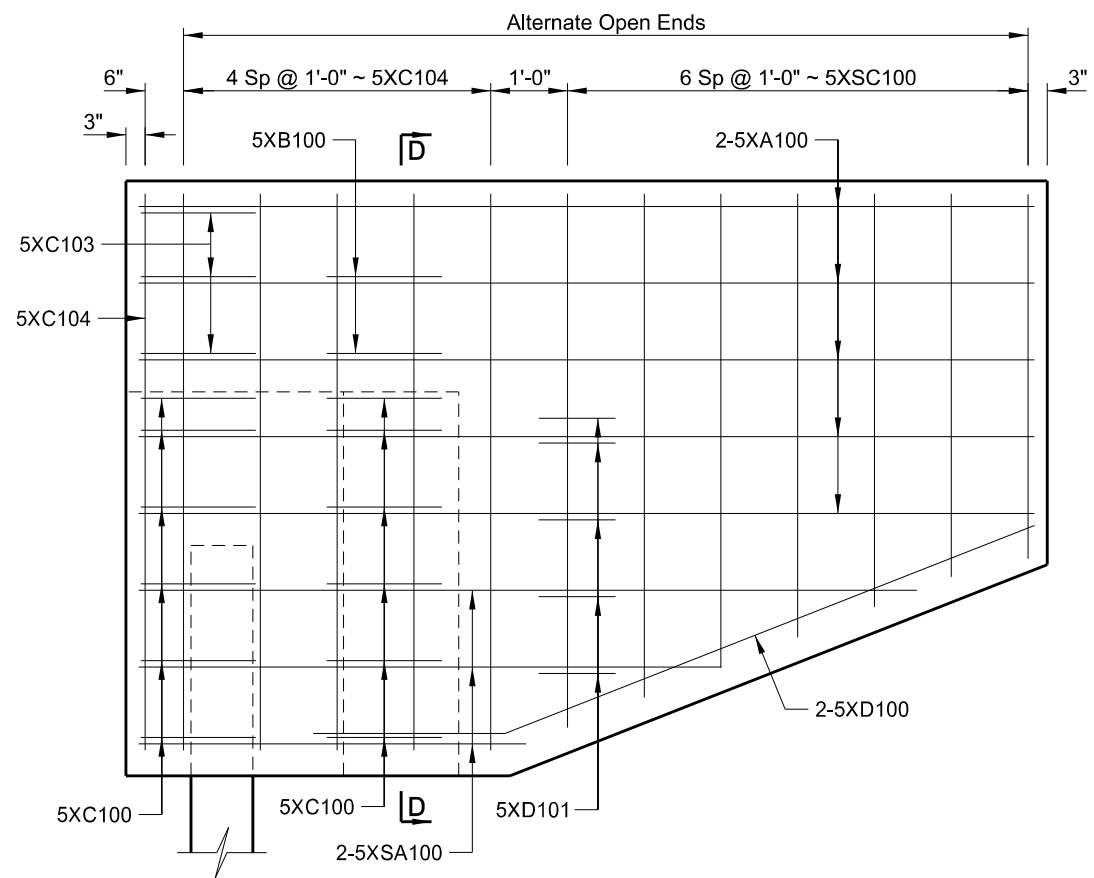


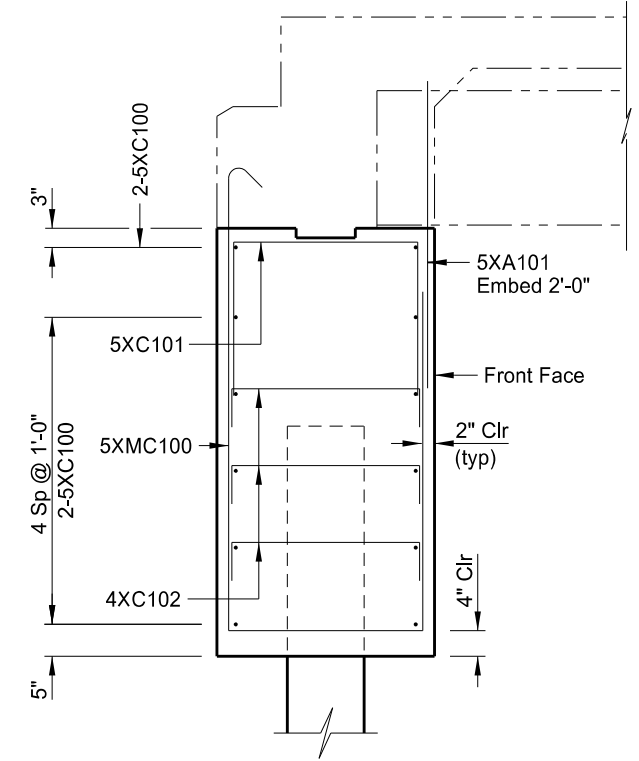
STATE	PROJECT NO.	SECTION NO.	SHEET NO.
ND	SS-5-085(086)012	170	10



D-D

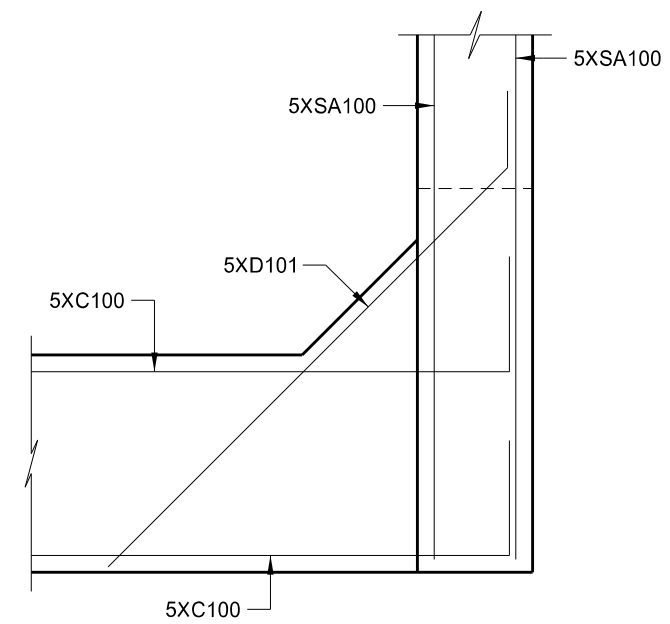


WING ELEVATION

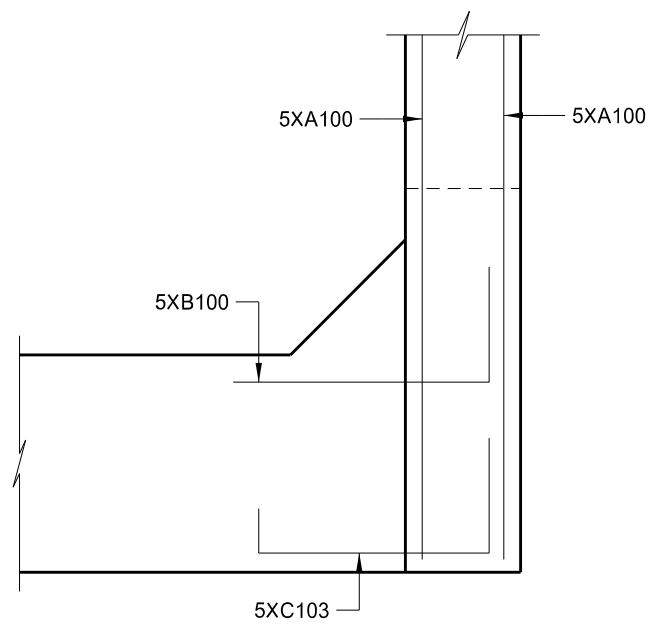


A-A

NOTE:
 See Dwg 85-012.746-9 for locations of Section A-A, B-B & C-C.



B-B



C-C

This drawing is preliminary and not for construction or implementation purposes.

QUANTITIES	(ONE ABUTMENT)
BRIDGE SUBSTRUCTURE CONCRETE	33.3 CY
REINFORCING STEEL	2,576 LBS

SPRING CREEK
 4 SOUTH OF JCT US 12
 (SHOWING REINFORCING)
 ABUTMENT DETAILS

DRAWING NO.	85-012.747-10
-------------	---------------