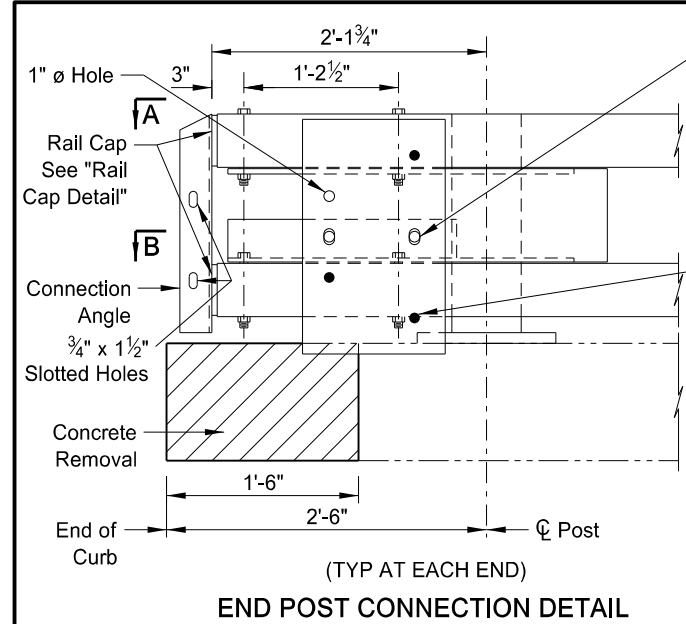
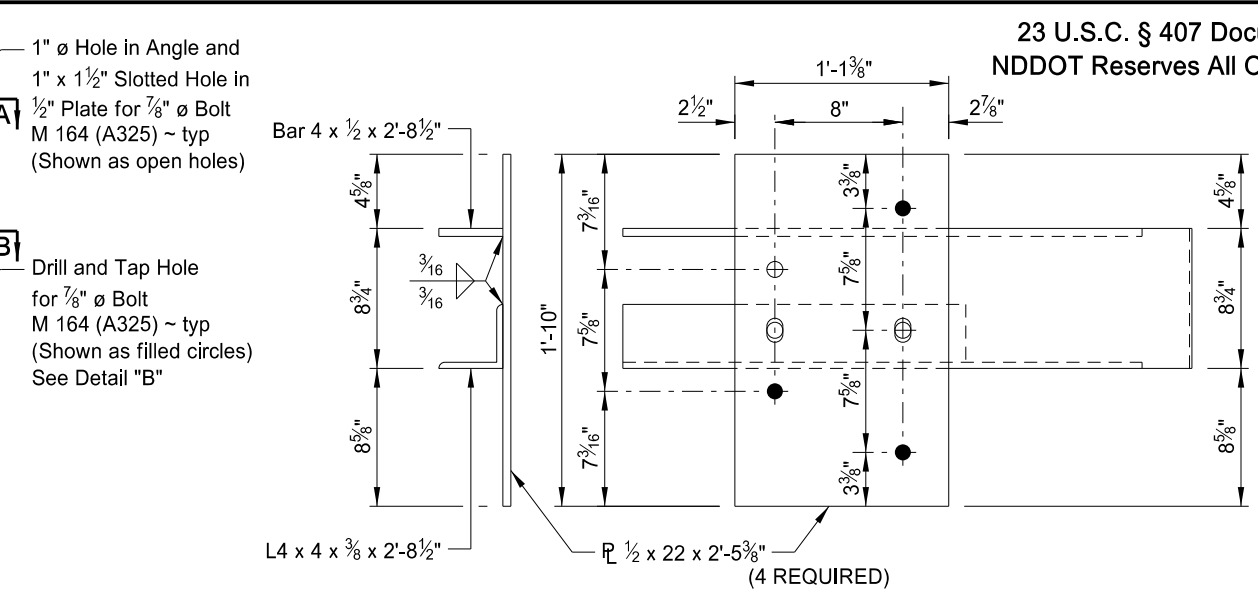


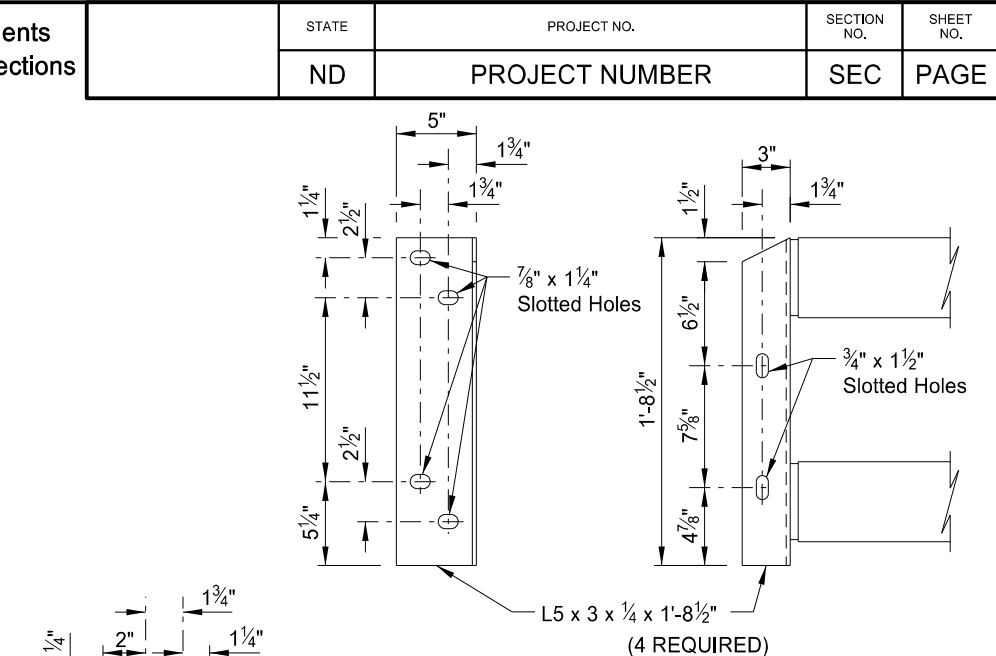
STATE	PROJECT NO.	SECTION NO.	SHEET NO.
ND	PROJECT NUMBER	SEC	PAGE



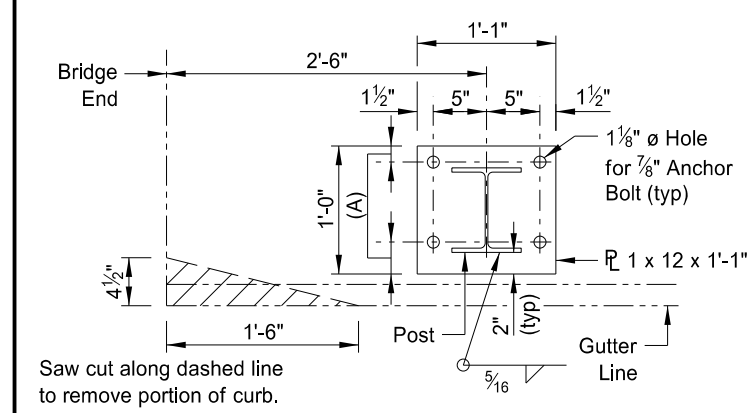
END POST CONNECTION DETAIL



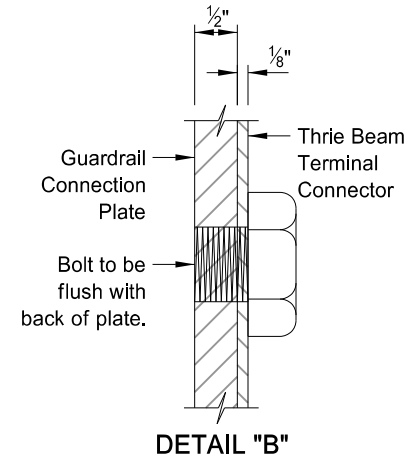
GUARDRAIL CONNECTION PLATE DETAILS



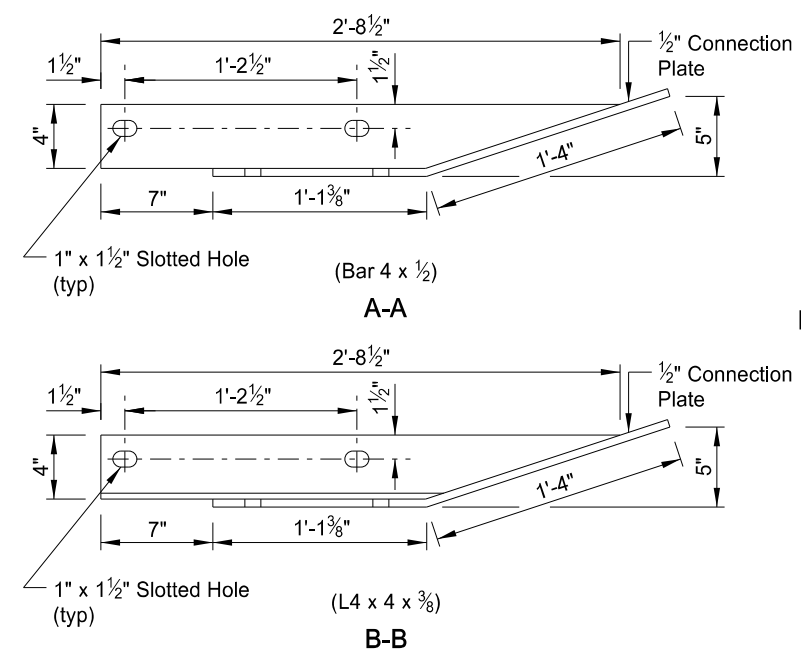
CONNECTION ANGLE DETAILS



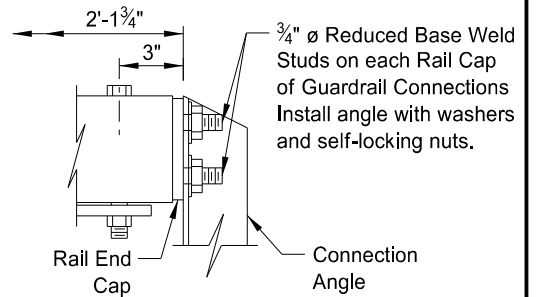
BASE PLATE DETAIL



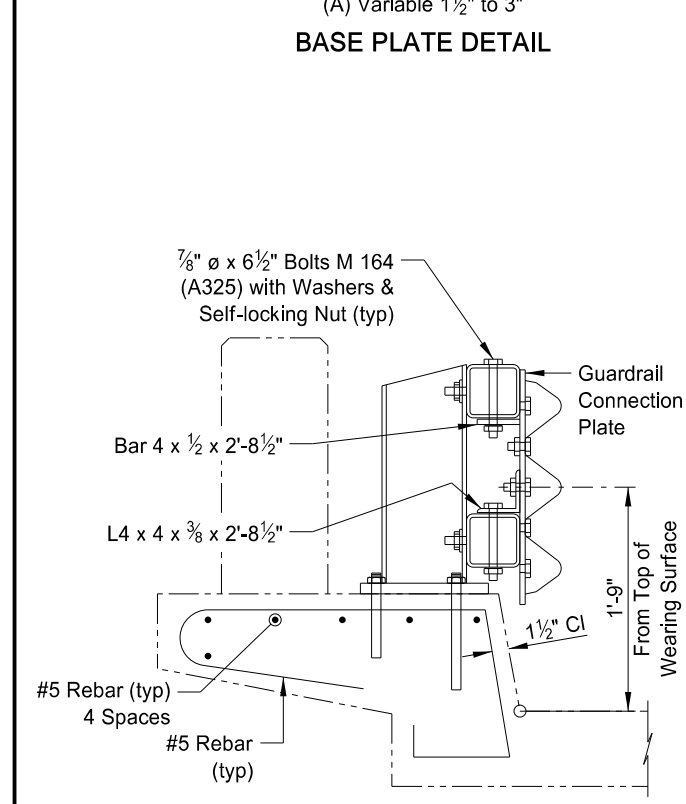
DETAIL "B"



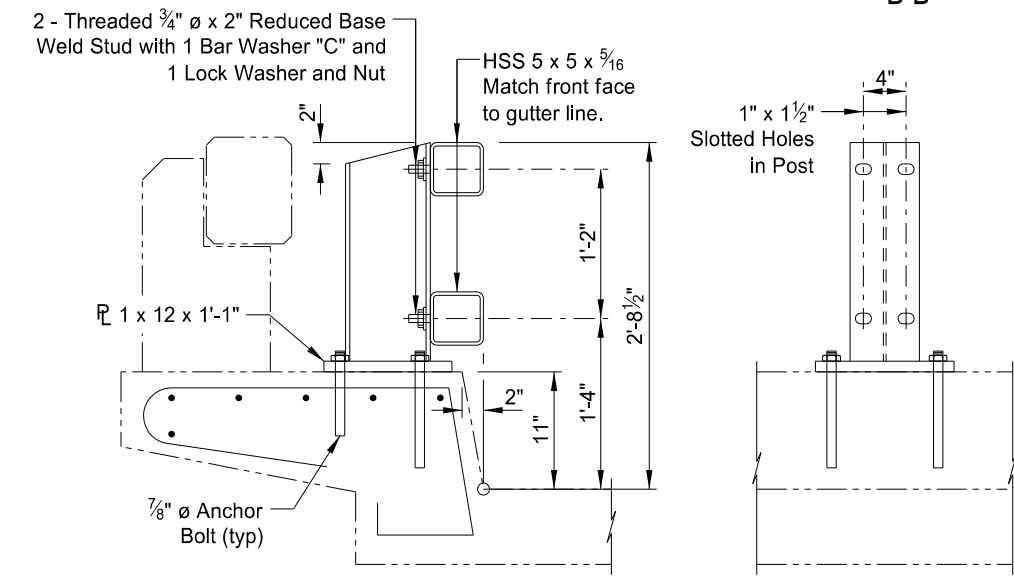
RAIL CAP END VIEW



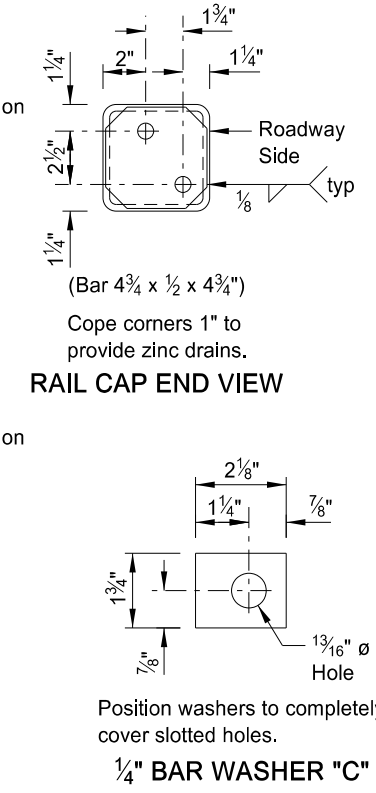
RAIL CAP DETAIL



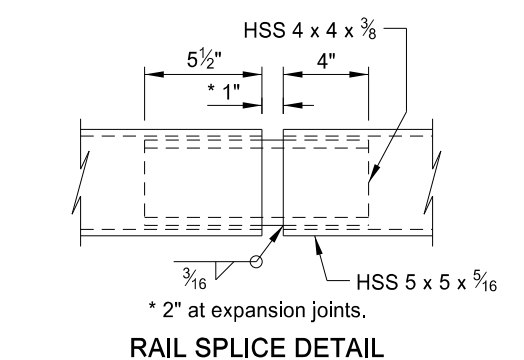
CONNECTION DETAILS



CURB MOUNT POST DETAILS



1/4" BAR WASHER "C"



RAIL SPLICE DETAIL

**NOTES:**

- Provide reduced base studs in accordance with ASTM A108.
- Galvanize all steel components after fabrication according to Section 854.

This drawing is preliminary and not for construction or implementation purposes.

<b>QUANTITIES</b>	
RAIL RETROFIT - FREE STANDING	0.0 LF
LOCATION	
DOUBLE BOX BEAM RAIL RETROFIT DETAILS (FREE STANDING)	
DRAWING NO.	00-000.000-0