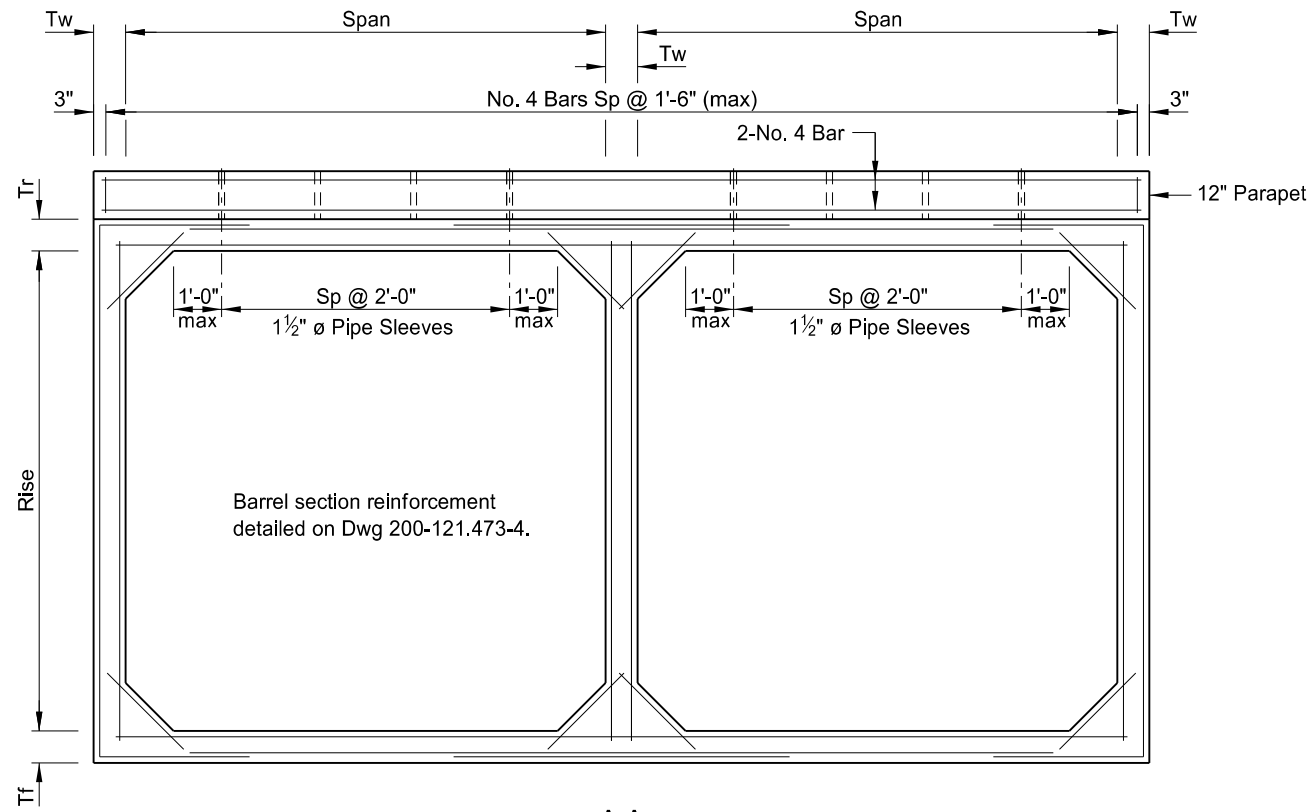


STATE	PROJECT NO.	SECTION NO.	SHEET NO.
ND	NH-5-200(035)102	170	5

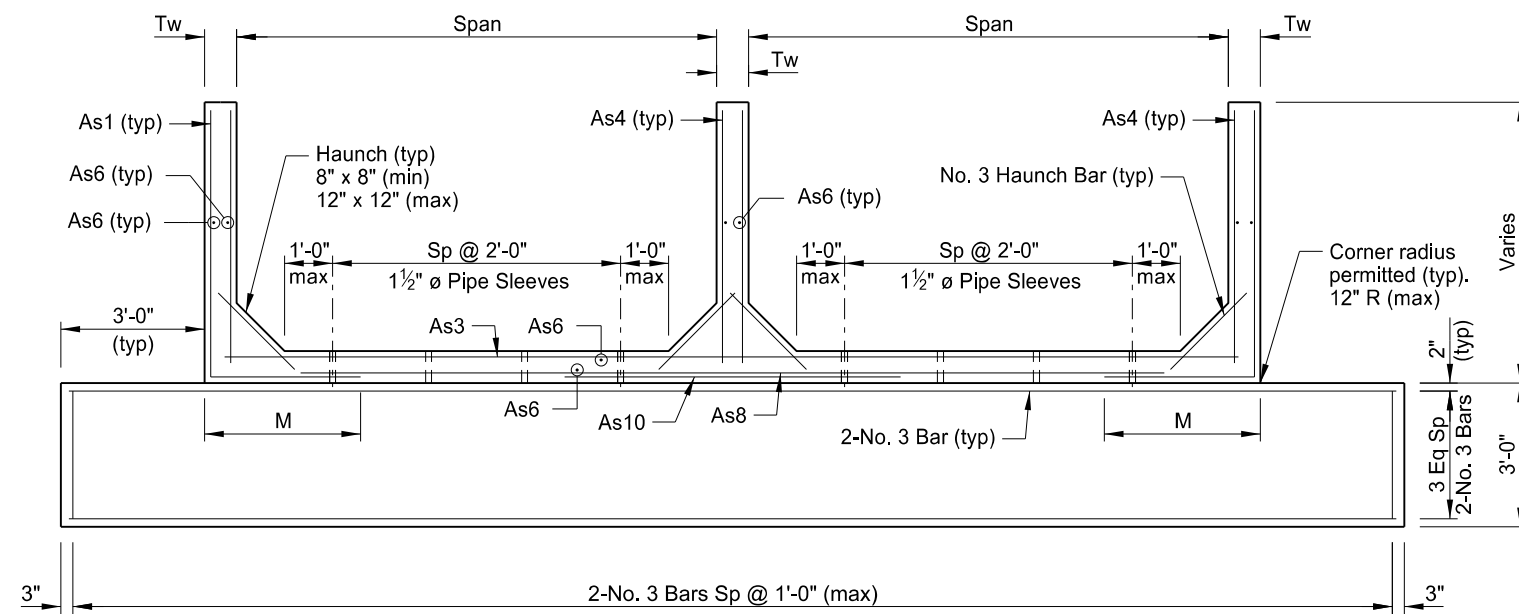
NOTES:

See "Notes" on Dwg 200-121.473-4.

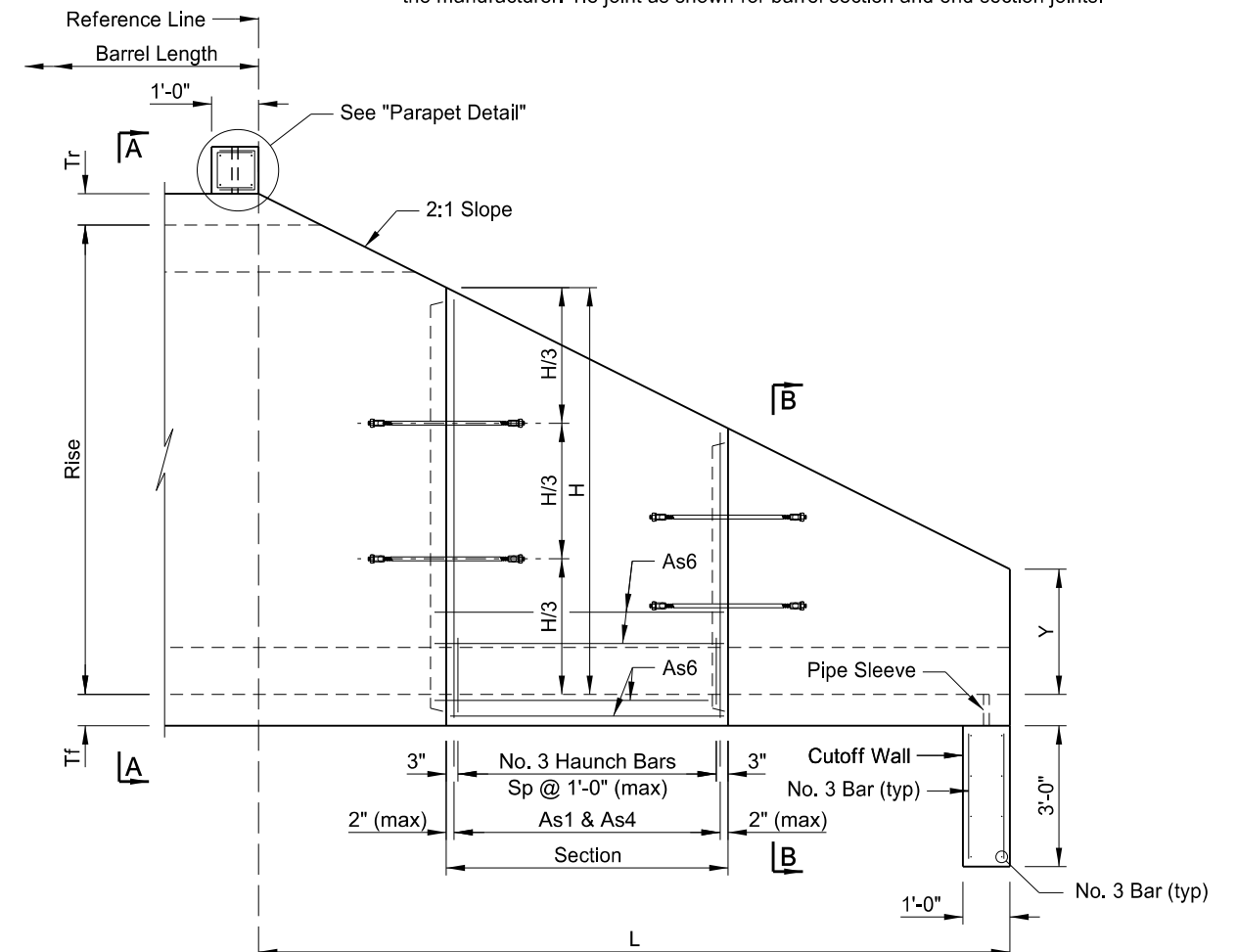
Barrel section to end section joint not shown. Location of joint to be determined by the manufacturer. Tie joint as shown for barrel section and end section joints.



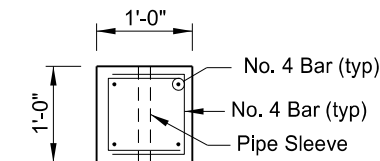
A-A



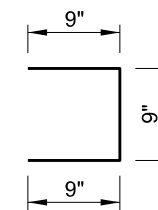
B-B



END SECTION ELEVATION



PARAPET DETAIL



(DIMENSIONS SHOWN ARE OUT TO OUT)
NO. 4 BAR

BENT BAR DETAIL

This drawing is preliminary and not for construction or implementation purposes.

END SECTION INFORMATION TABLE

STRENGTH f_c (KSI)	DIMENSIONS							WELDED WIRE REINFORCEMENT									
								As1		As3		As4		As6		As8	
	SPAN	RISE	L	Y	Tr	Tf	Tw	AREA (IN ² /FT)	M	AREA (IN ² /FT)	LENGTH	AREA (IN ² /FT)	AREA (IN ² /FT)	AREA (IN ² /FT)	LENGTH	AREA (IN ² /FT)	LENGTH
6	12'-0"	10'-0"	18'-0"	2'-1"	1'-1"	1'-1"	8"	0.510	2'-6"	0.390	25'-2"	0.315	0.060	0.390	24'-0"		

CREEK
5 EAST OF SOUTH JCT ND 8

END SECTION DETAILS

DRAWING NO. 200-121.473-5