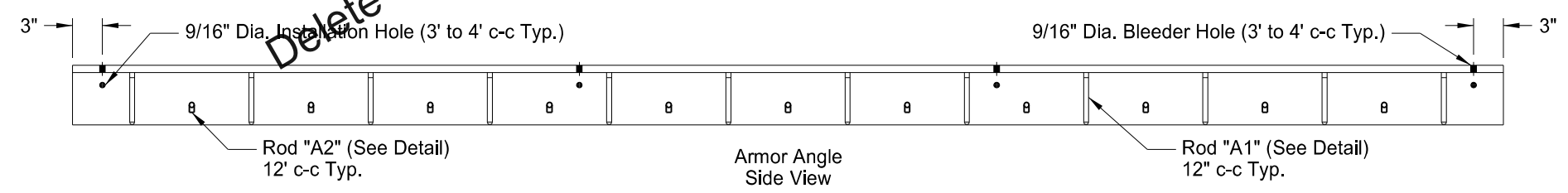
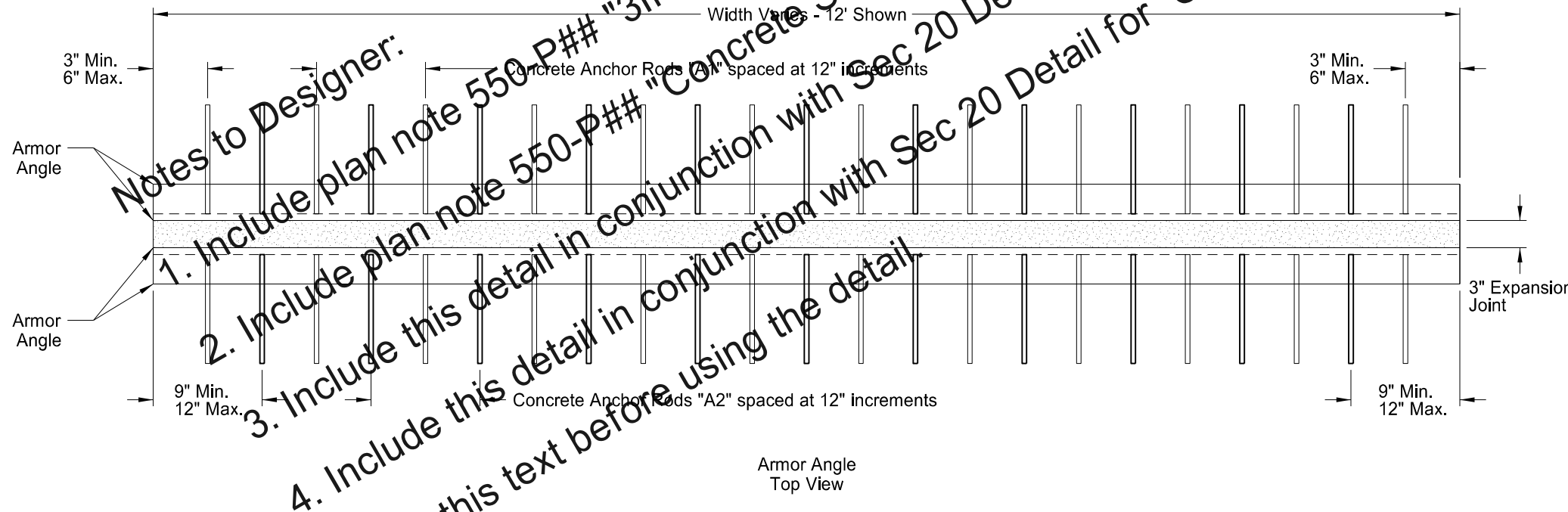
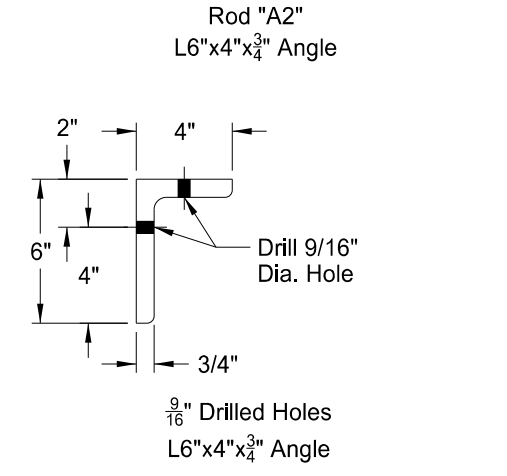
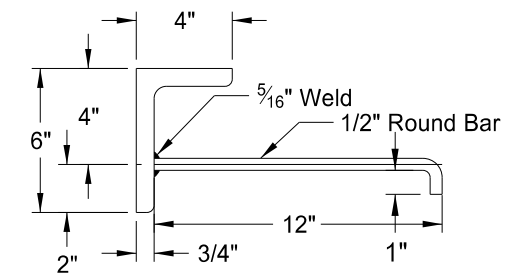
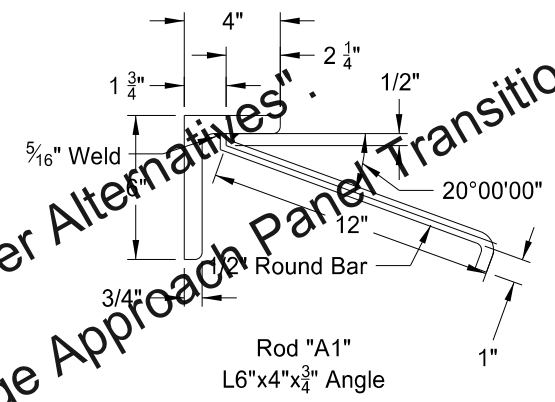
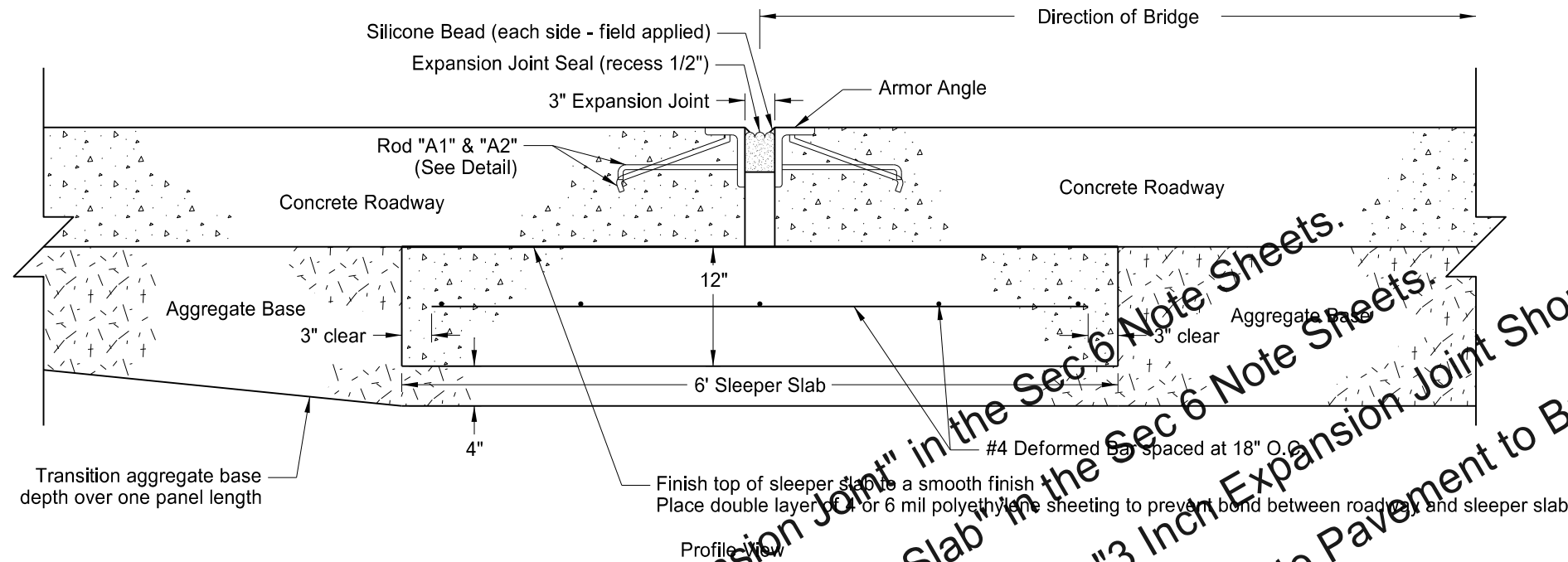


STATE	PROJECT NO.	SECTION NO.	SHEET NO.
ND	PROJECT NUMBER	20	PAGE



3 Inch Expansion Joint Detail
Project Description
Project Location

This document is preliminary and not for construction or implementation purposes.