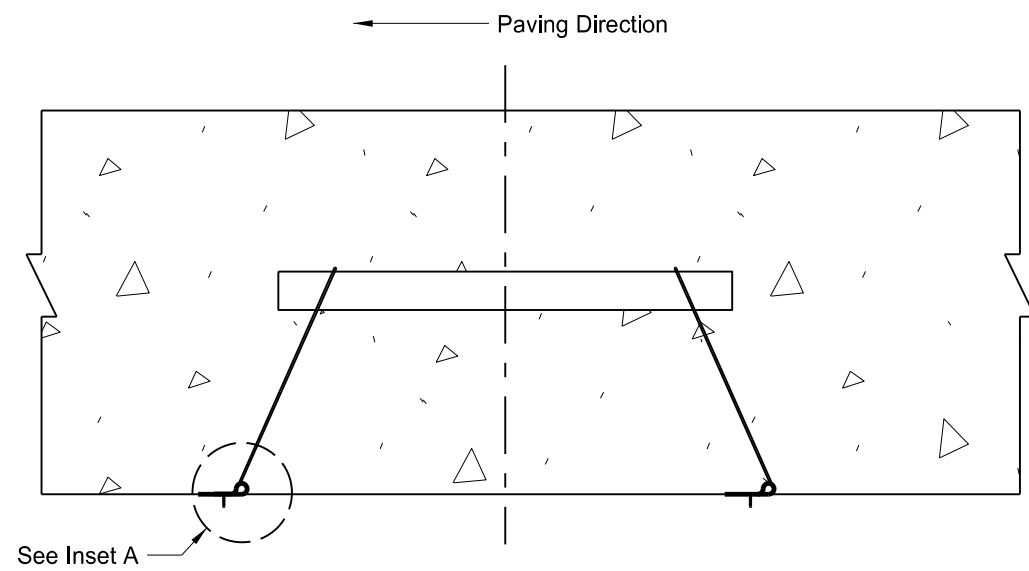
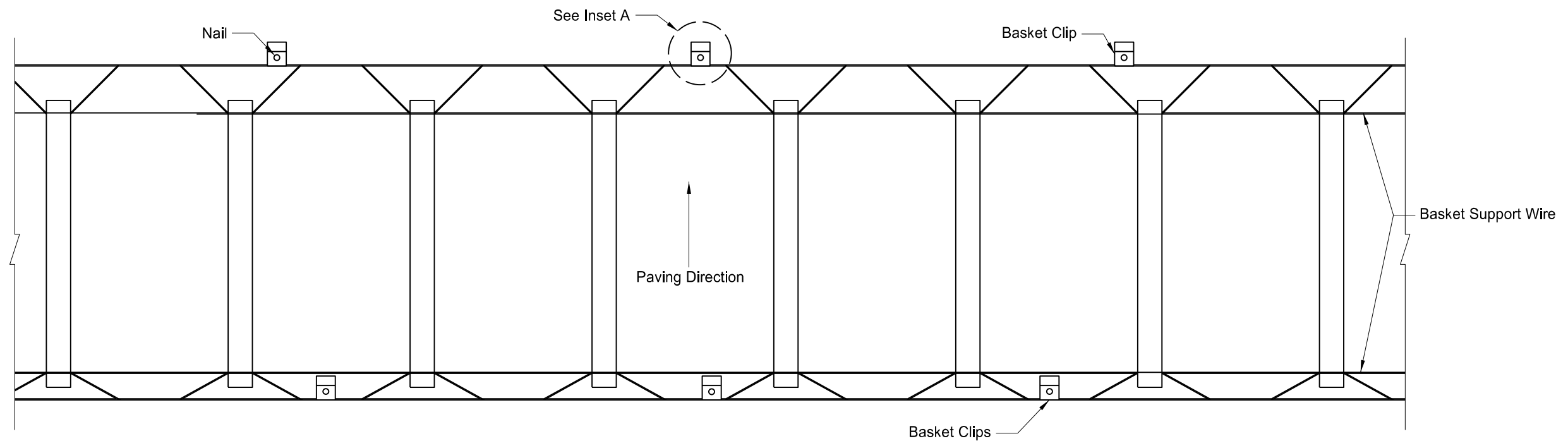
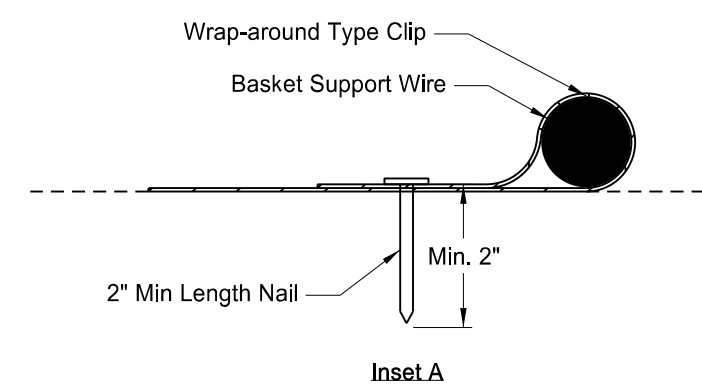


	STATE	PROJECT NO.	SECTION NO.	SHEET NO.
	ND	PROJECT NUMBER	20	5



- Note:
1. Provide wrap-around clips with a minimum 2" length nail.
 2. Install basket clip on the downstream side of the basket support wire.
 3. Provide a minimum of 10 clips per dowel bar basket assembly.



Dowel Bar Basket Assembly

Basket Clip Detail	<p>This document is preliminary and not for construction or implementation purposes.</p> <p>PRELIMINARY</p>
Project Description	
Project Location	