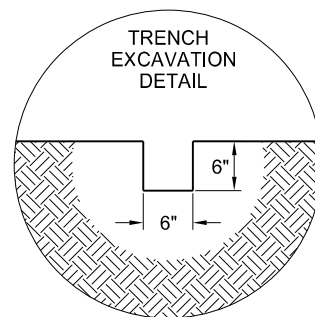
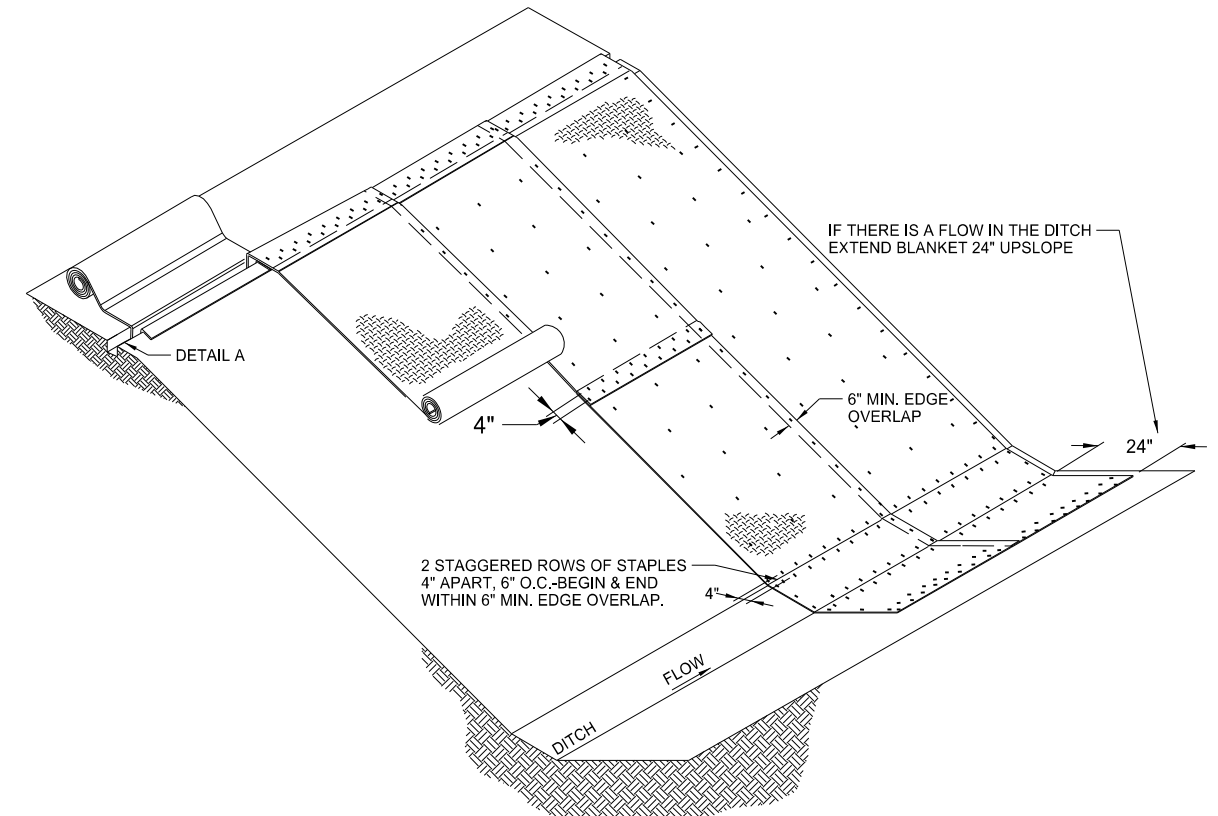


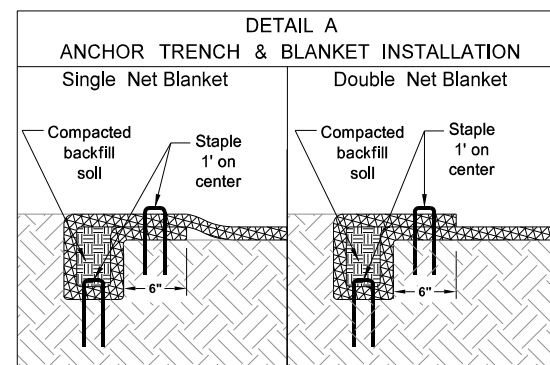
EROSION CONTROL BLANKET
INSTALLATION DETAIL
NO DITCH FLOW PRESENT



TRENCH
EXCAVATION
DETAIL



EROSION CONTROL BLANKET
INSTALLATION DETAIL
DITCH FLOW PRESENT



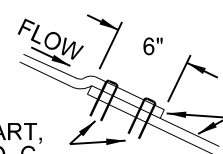
NOTE:

Install Single Net Blanket with netting on top of installed blanket.

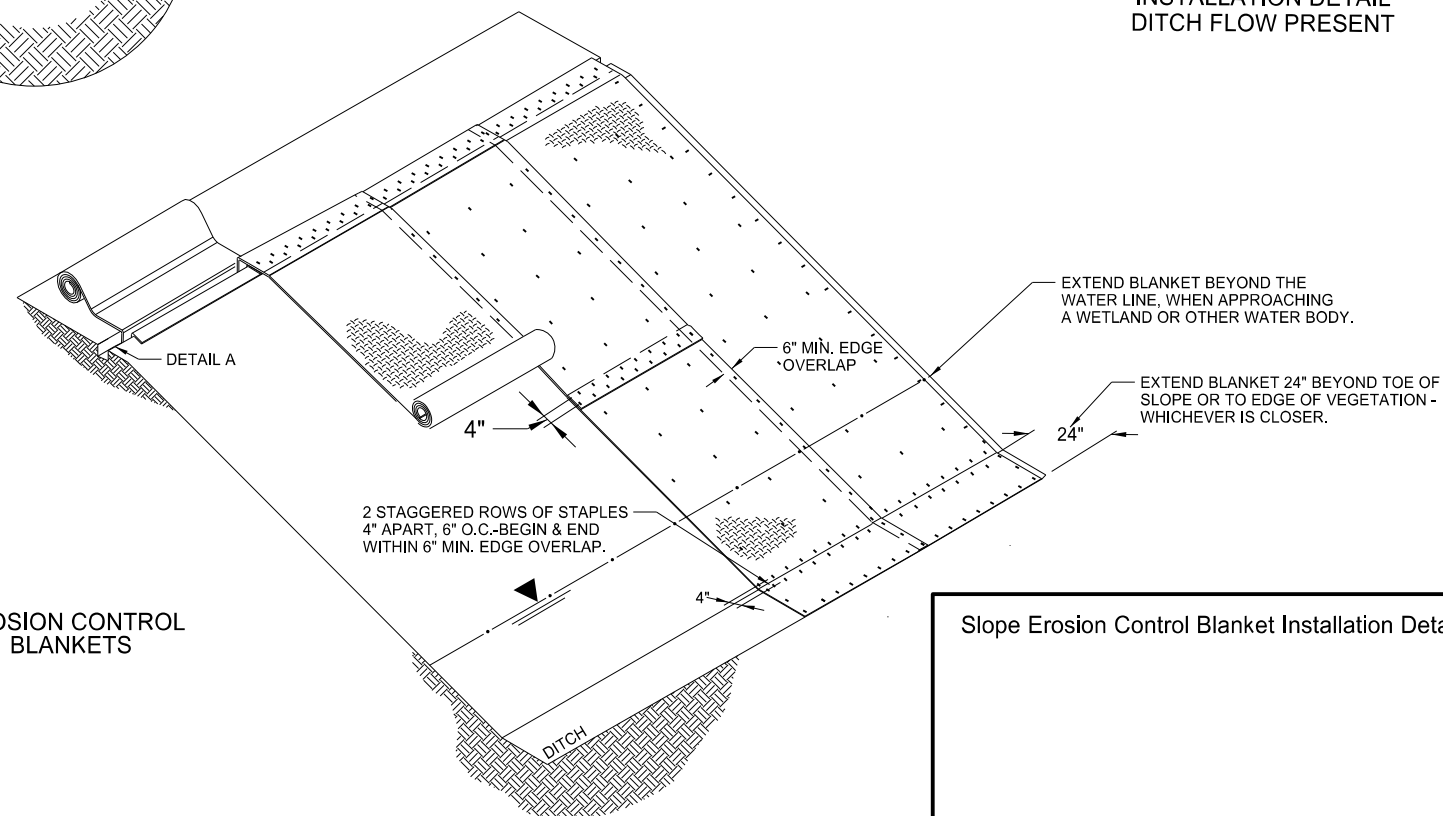
INSTALLATION STEPS:

1. Prepare smooth slope per spec. section 255
2. Amend soil and seed, as specified.
3. Dig anchor trench. Set aside native soil removed from trench.
4. Secure blanket in anchor trench, staking or stapling blanket as shown.
5. Replace native soil previously removed from trench.
6. Staple blanket as shown so there are no gaps between the blanket and the soil.
Staple while unrolling blanket to minimize walking on blanket.
7. Install splices a minimum 24 inches prior to toe of slope.

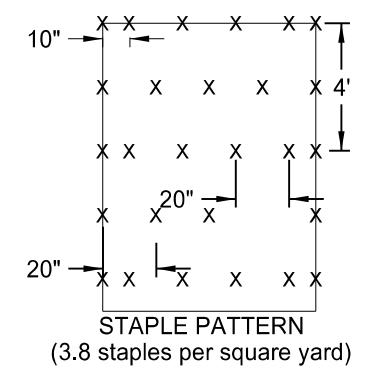
STAPLES ~ 4" APART,
STAGGERED, 6" O. C.



EROSION CONTROL
BLANKETS



EROSION CONTROL BLANKET
INSTALLATION DETAIL
NO DITCH FLOW PRESENT (STANDING WATER)



Slope Erosion Control Blanket Installation Details

Project Description
Project Location

This document
is preliminary
and not for
construction or
implementation
purposes.