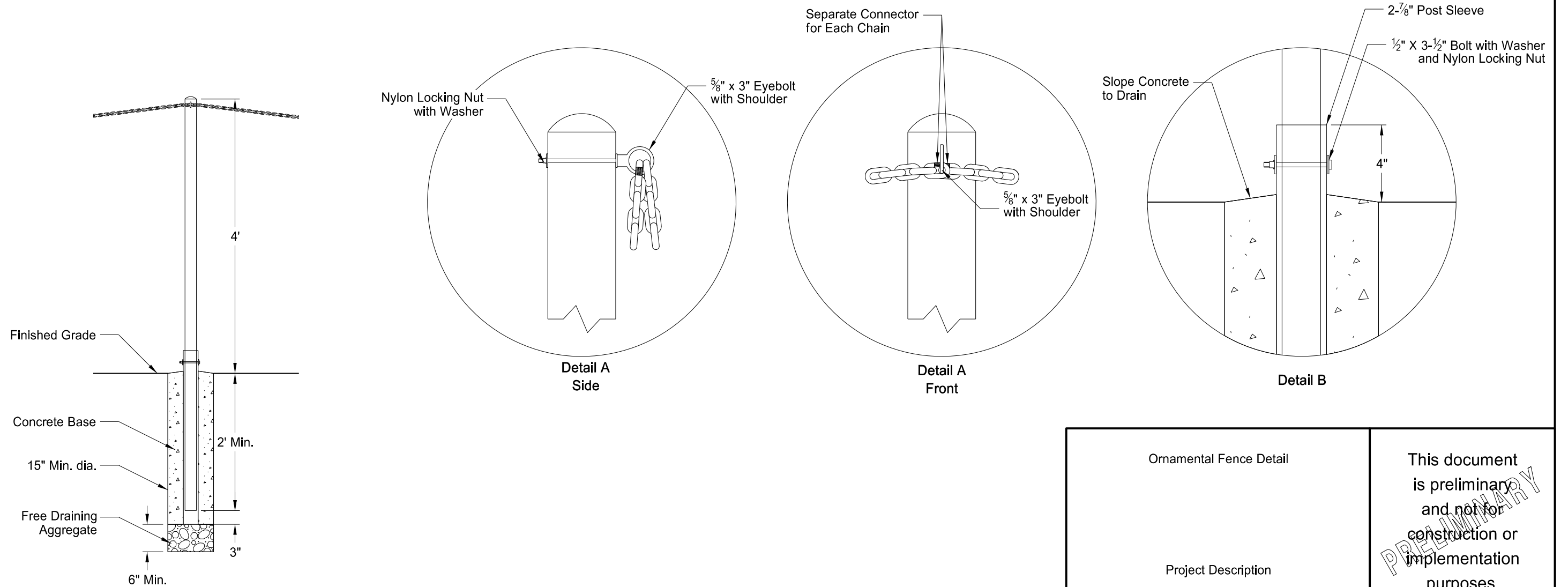
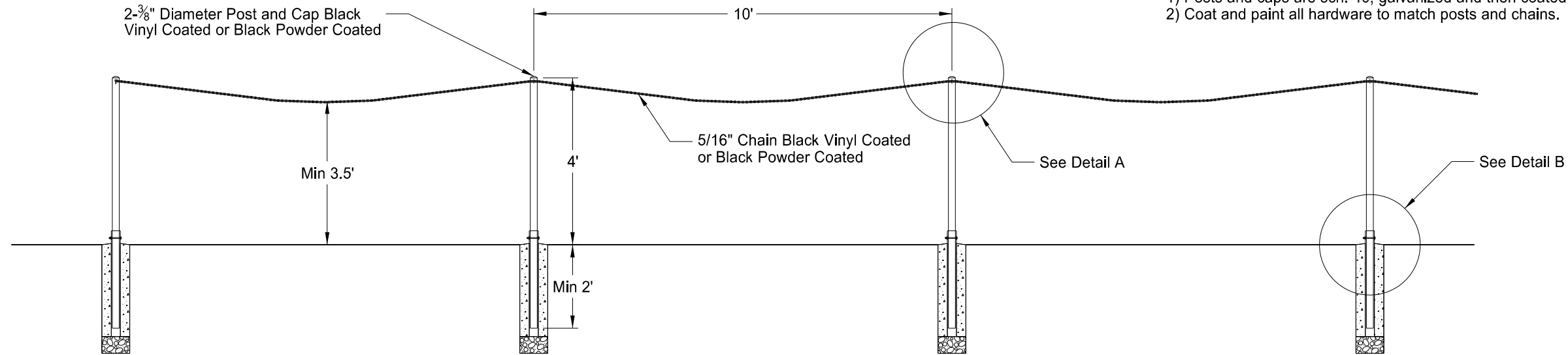


Notes:

- 1) Posts and caps are sch. 40, galvanized and then coated to finish color.
- 2) Coat and paint all hardware to match posts and chains.



Ornamental Fence Detail	This document is preliminary and not for construction or implementation purposes.
Project Description	
Project Location	