

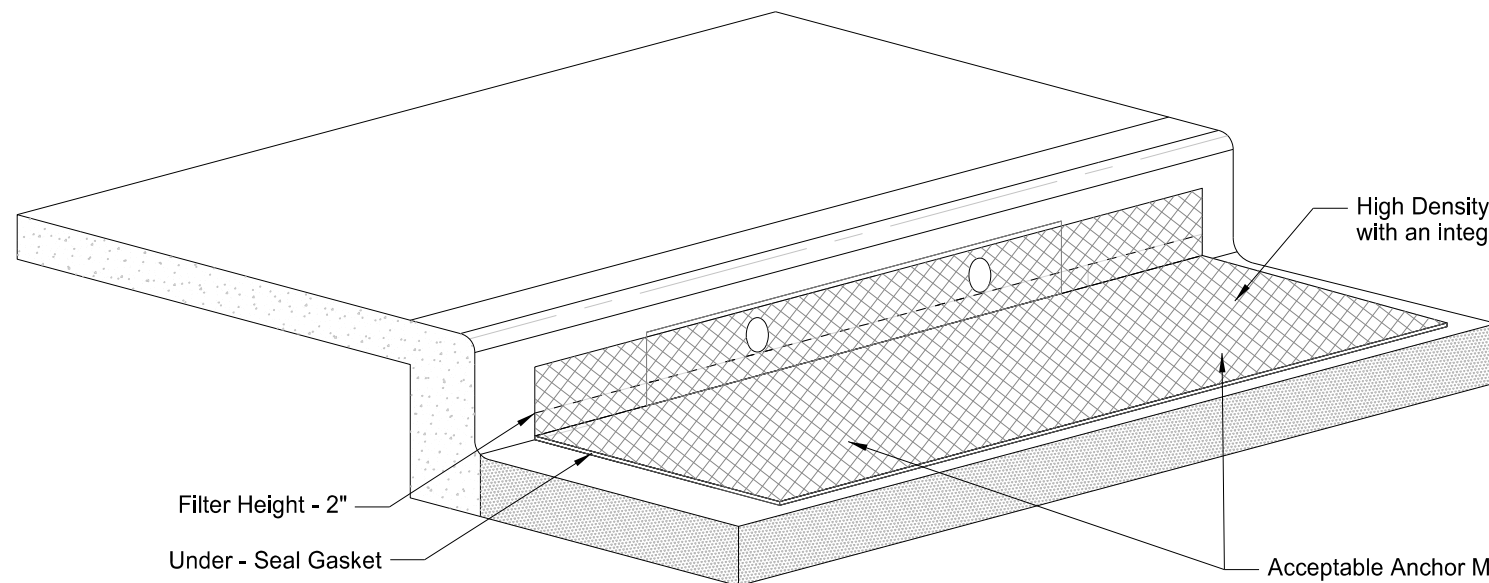
Inlet Protection Device

Installation Notes:

1. Place device tightly against drain opening and cover entire grate. Extend the device at least 2 inches past the grate toward the street.
2. Overlap the segments at longer openings.
3. Anchor the device so that water cannot flow behind it.

General Notes:

1. Remove material that falls into the inlet during maintenance or removal of the device.



High Density Polyethylene (HDPE) high flow jacket filter (8,000 opening per SY) with an integrated 425 um (micron meter) fine filter particle mesh

Filter Height - 2"

Under - Seal Gasket

Acceptable Anchor Method: Fasten to inlet casting grate with a UV/Weather Resistant Plastic Cable Zip Ties - 16 to 24 in. Install zip ties at each corner of the inlet near the perimeter and two additional zip ties near the middle of the casting. Punch hole through filter and run cable tie downward around grate and back up to fasten.

| | |
|-------------------------|---|
| Inlet Protection Device | <p>This document is preliminary and not for construction or implementation purposes.</p> <p style="font-size: 2em; opacity: 0.5; transform: rotate(-45deg); position: absolute; top: 50%; left: 50%;">PRELIMINARY</p> |
| Project Description | |
| Project Location | |