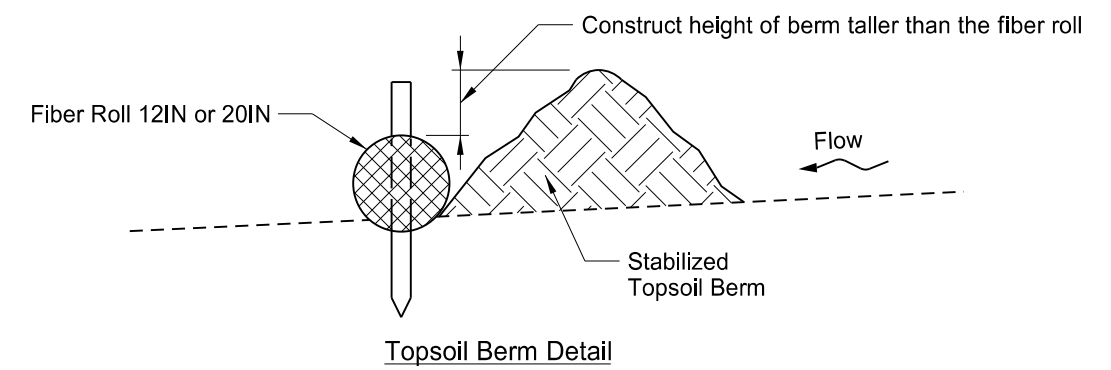
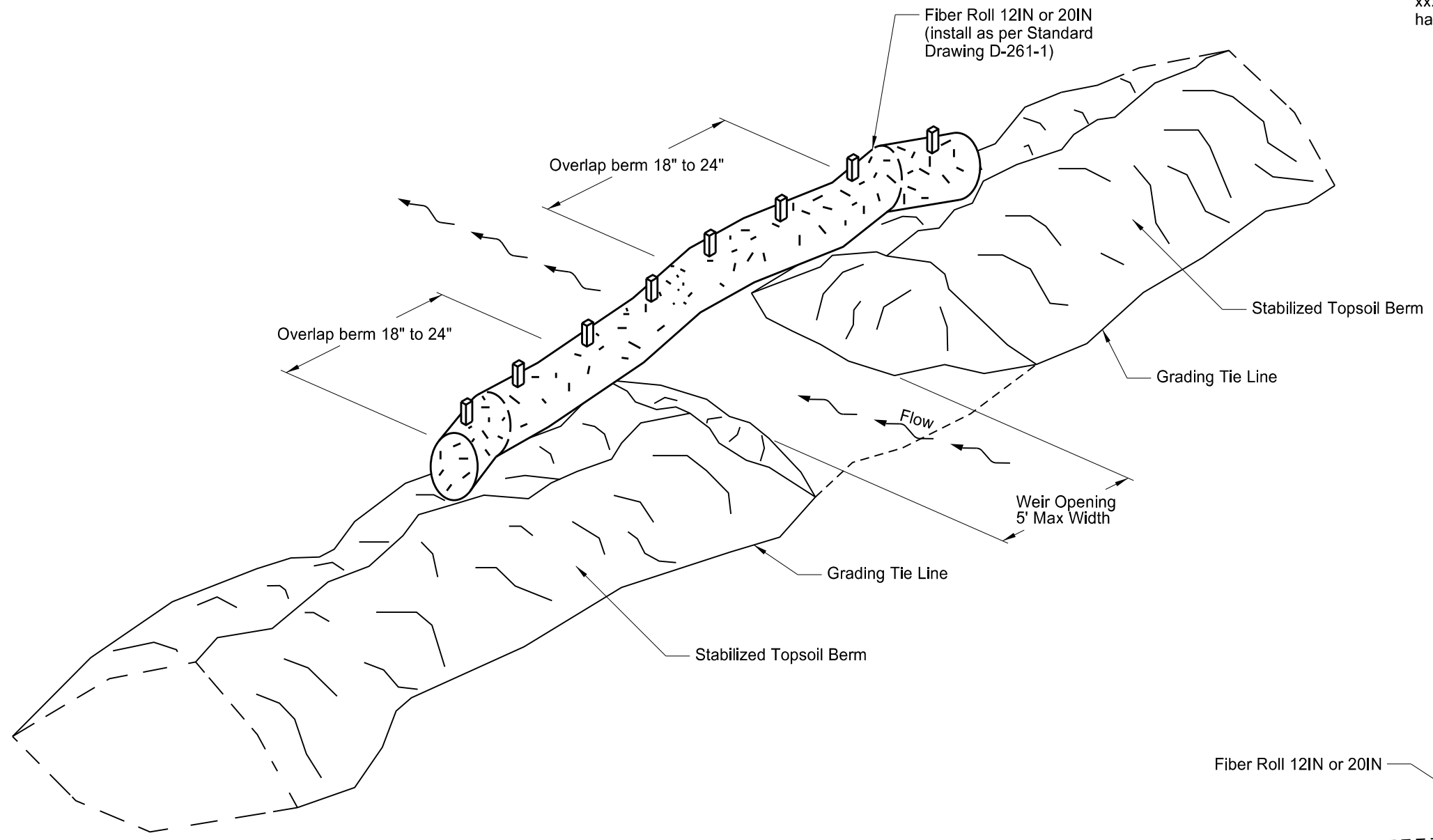


xxx LF of Fiber Roll xxIN and xxx LF of Remove Fiber Roll xxIN have been included in the quantities for use at weirs.



Notes:

1. Windrow the existing topsoil from the foreslope to create a berm at the grading tie line.
2. Stabilize berms in accordance with the Construction General Permit.
3. Place weirs intermittently throughout the length of the berm to allow stormwater to drain through the berm.
4. Avoid placing weirs adjacent to waterbodies.
5. Install fiber rolls as the weirs are created in the topsoil berm.
6. The Engineer will measure and pay for fiber rolls separately.
7. The Engineer will measure and pay for removal of fiber rolls separately when required by the specifications.
8. The Engineer will measure and pay for soil stabilization and temporary cover crop separately.
9. Include the costs to create, maintain, and dismantle the berm in the unit price bid for "Topsoil".

Temporary Topsoil Berm and Weir Detail	<p>This document is preliminary and not for construction or implementation purposes.</p>
Project Description	
Project Location	