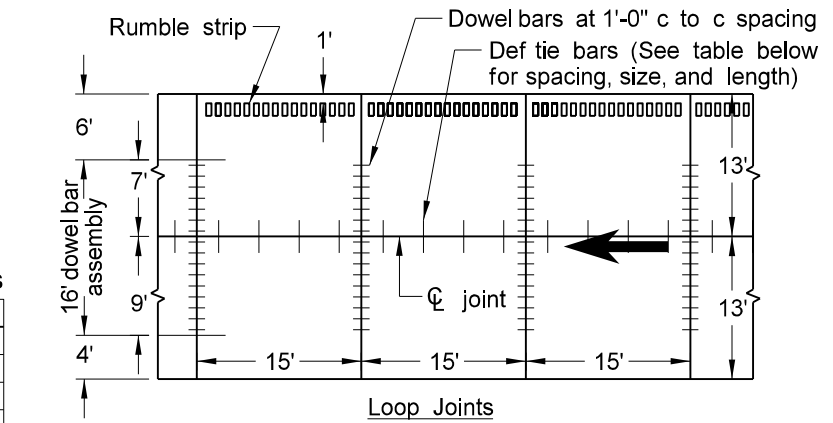
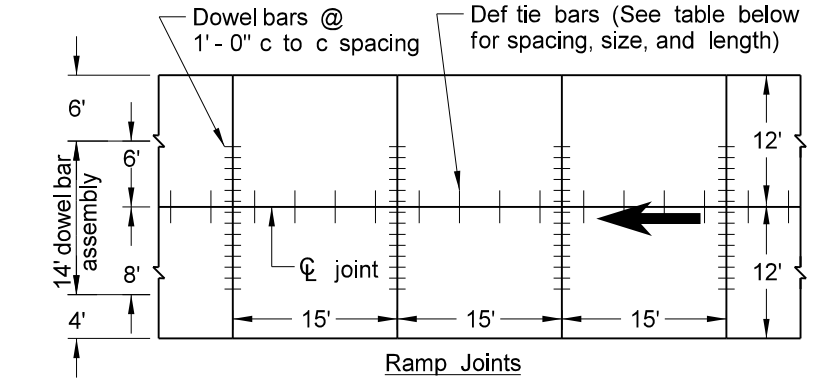
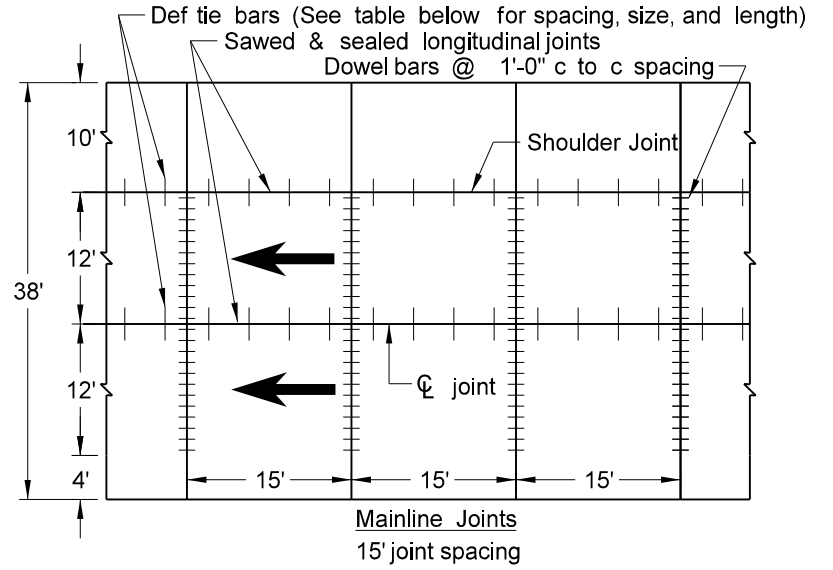


Grade 40 Longitudinal Joint Tie Bars															
PCC Depth	8"	8 1/2"	9"	9 1/2"	10"	10 1/2"	11"	11 1/2"	12"	12 1/2"	13"	13 1/2"	14"	14 1/2"	15"
Mainline Centerline															
Bar Size x Length (S=30")															
Bar Size x Length (S=45")															
Ramp/Loop Centerline															
Bar Size x Length (S=30")															
Bar Size x Length (S=45")															
10' Shoulder Joint															
Bar Size x Length (S=30")															
Bar Size x Length (S=45")															
Grade 60 Longitudinal Joint Tie Bars															
PCC Depth	8"	8 1/2"	9"	9 1/2"	10"	10 1/2"	11"	11 1/2"	12"	12 1/2"	13"	13 1/2"	14"	14 1/2"	15"
Mainline Centerline															
Bar Size x Length (S=30")															
Bar Size x Length (S=45")															
Ramp/Loop Centerline															
Bar Size x Length (S=30")															
Bar Size x Length (S=45")															
10' Shoulder Joint															
Bar Size x Length (S=30")															
Bar Size x Length (S=45")															

- Notes:
- S = Tiebar spacing
 - T = Pavement thickness
 - Place dowels in ramp tapers also.
 - Place no tie bar within 15" of a transverse joint.

Transverse Joint Dowel Bars	
Joint Location	Dia x Length
ML	d1" x 18"
Ramp	d2" x 18"
Loop	d3" x 18"



PCC Pavement - Perpendicular Joints @ 15' Spacing and 10' Wide Full Depth PCC Outside Shoulder

PCC Pavement Reconstruction

Project Location

This document is preliminary and not for construction or implementation purposes.