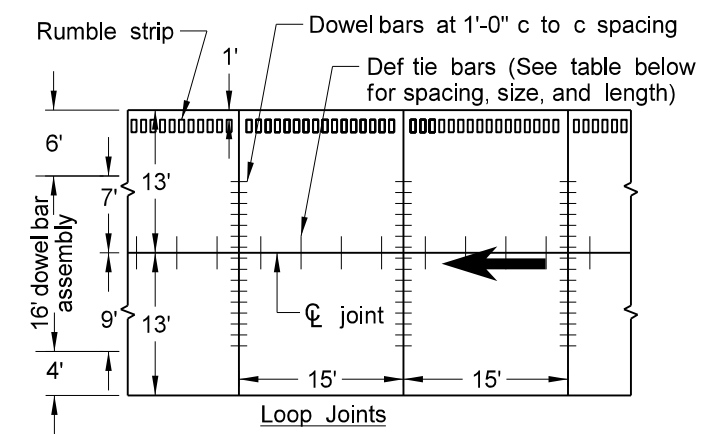
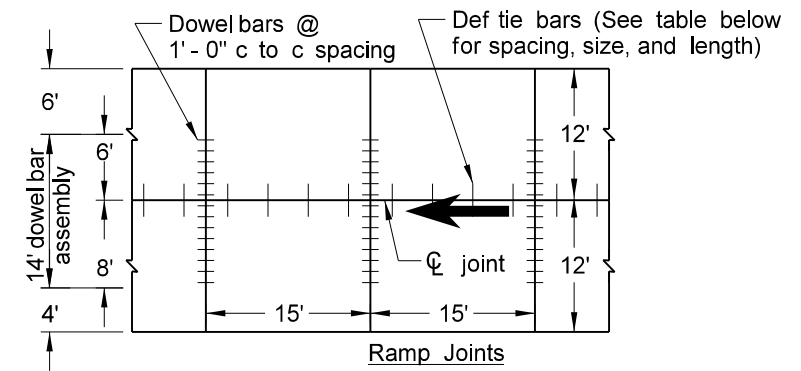
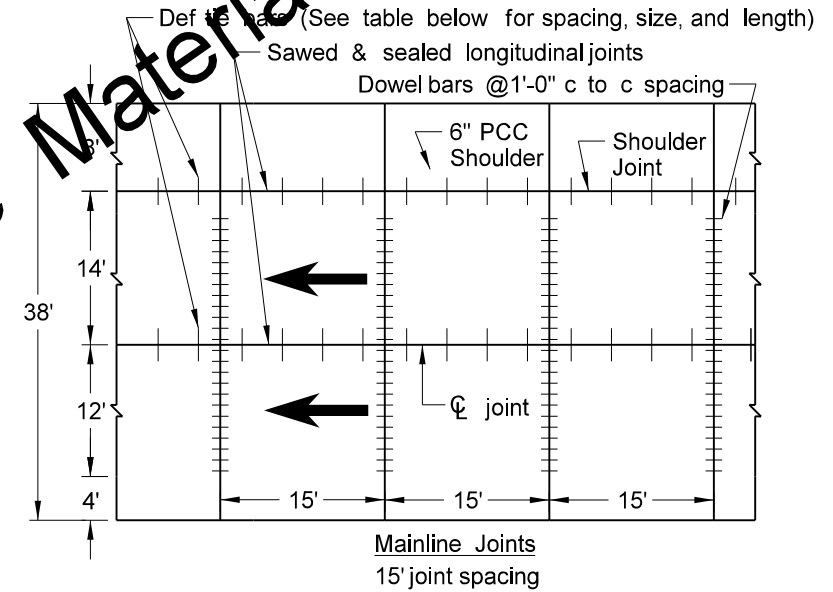


Transverse Joint Dowel Bars

Joint Location	Dia x Length
ML	d1" x 18"
Ramp	d2" x 18"
Loop	d3" x 18"

- Notes:
1. = Tiebar spacing
 2. = Pavement thickness
 3. Place dowels in ramp tapers also.
 4. Place no tie bar within 15" of a transverse joint.



Grade 40 Longitudinal Joint Tie Bars

PCC Depth	6"	8"	8 1/2"	9"	9 1/2"	10"	10 1/2"	11"	11 1/2"	12"	12 1/2"	13"	13 1/2"	14"	14 1/2"	15"
Mainline Centerline																
Bar Size x Length (S=30")						#5 x 30"							#6 x 36"			
Bar Size x Length (S=45")						#6 x 36"							Grade 60 Required			
Ramp/Loop Centerline																
Bar Size x Length (S=30")						#4 x 24"									#6 x 36"	
Bar Size x Length (S=45")						#5 x 30"									Grade 60 Required	
8' Shoulder Joint																
Bar Size x Length (S=45")						#4 x 24"										

Grade 60 Longitudinal Joint Tie Bars

PCC Depth	6"	8"	8 1/2"	9"	9 1/2"	10"	10 1/2"	11"	11 1/2"	12"	12 1/2"	13"	13 1/2"	14"	14 1/2"	15"
Mainline Centerline																
Bar Size x Length (S=30")																
Bar Size x Length (S=45")																
Ramp/Loop Centerline																
Bar Size x Length (S=30")																
Bar Size x Length (S=45")																
8' Shoulder Joint																
Bar Size x Length (S=45")																

PCC Pavement - Perpendicular Joints @ 15' Spacing and 8' Wide - 6" Depth PCC Outside Shoulder

Project Description

Project Location

This document is preliminary and not for construction or implementation purposes.