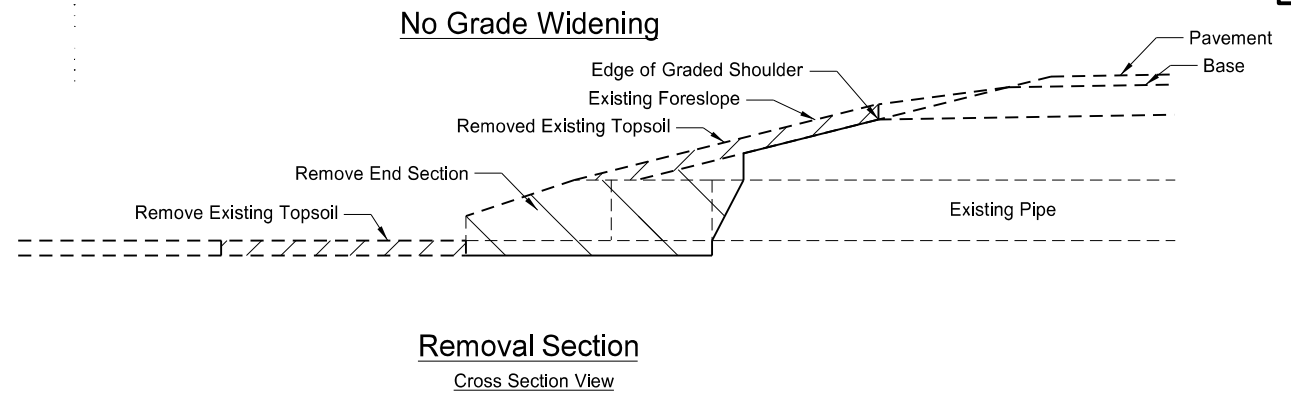


Removal Detail
Side View



Removal Section
Cross Section View

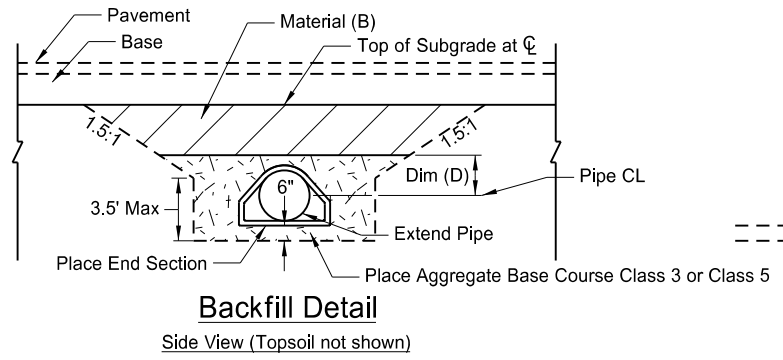
- Pay Items**
- 1) Pipe*
 - 2) Remove & Reset End Section or Remove End Section and Place New End Section

- *Included in Pipe Pay Item**
- 1) Pipe
 - 2) Aggregate Base Course Class 3 or Class 5
 - 3) Embankment
 - 4) Topsoil
 - 5) Seeding
 - 6) Mulch

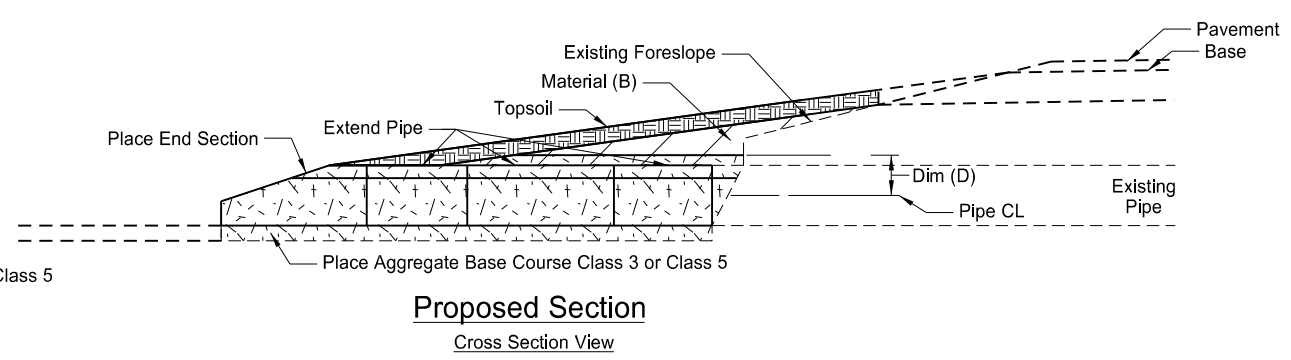
NOTES:

1. Embankment may be either Borrow Excavation or Common Excavation.
2. Aggregate may be either Class 3 or Class 5 Aggregate Base Course.

Pipe Materials	Dim (A) ≤ 4 Feet	Backfill Dimension
	Material (B)	Dim (D)
Concrete	Embank or Aggr	0.5 O.D.
Metal	Embank or Aggr	0.5 O.D.+1 Foot

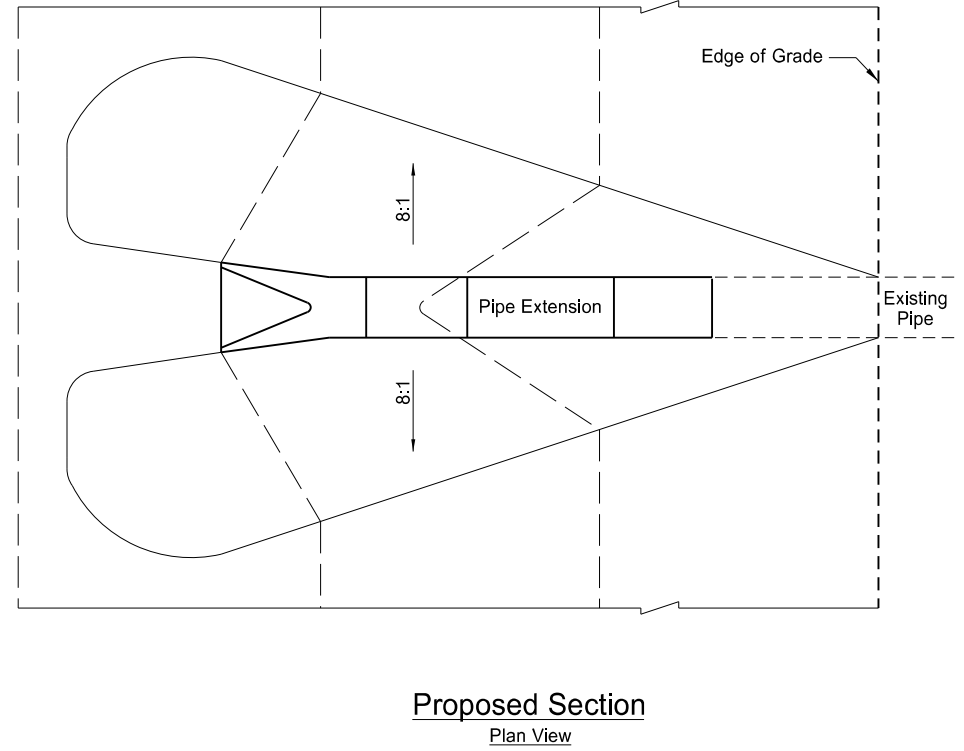


Backfill Detail
Side View (Topsoil not shown)



Proposed Section
Cross Section View

Pipe Materials	Dim (A) > 4 Feet	Backfill Dimension
	Material (B)	Dim (D)
Concrete	Embankment	0.5 O.D.
Metal	Embankment	0.5 O.D.+1 Foot



Proposed Section
Plan View

Mainline Centerline Pipe Extension Detail

Project Description

Project Location

This document is preliminary and not for construction or implementation purposes.