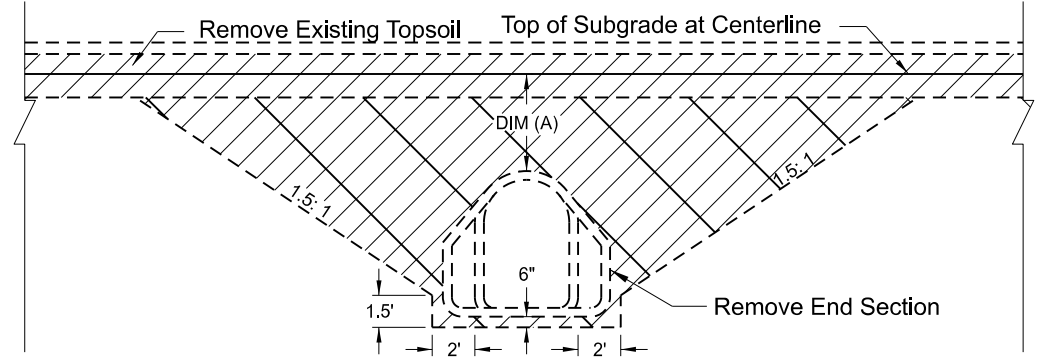


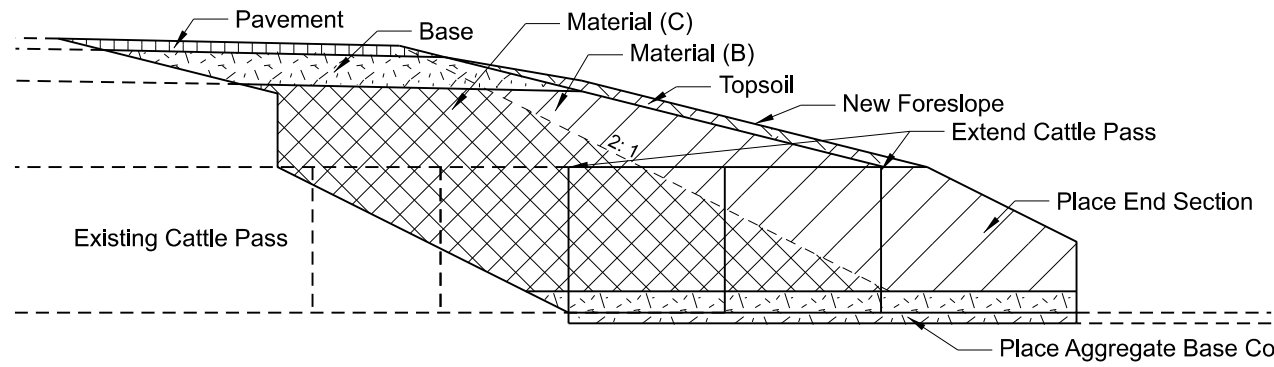
REMOVAL SECTION
Cross Section View

- Pay Items**
- 1) Cattle Pass Conc Intermed Section*
 - 2) Remove and Relay Conc Cattle Pass (If Required)
 - 3) Remove and Relay End Section or Remove End Section and Place New End Section
 - 4) Borrow Excavation or Common Excavation
 - 5) Topsoil
 - 6) Seeding
 - 7) Mulching

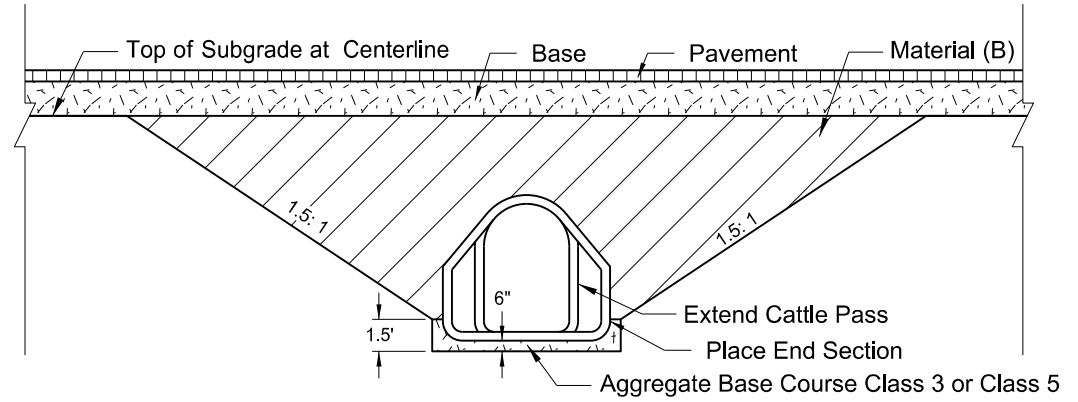


REMOVAL DETAIL
Side View

- *Included in Cattle Pass Pay Item**
- 1) Cattle Pass
 - 2) Trench excavation
 - 3) Aggregate Base Course Class 3 or Class 5

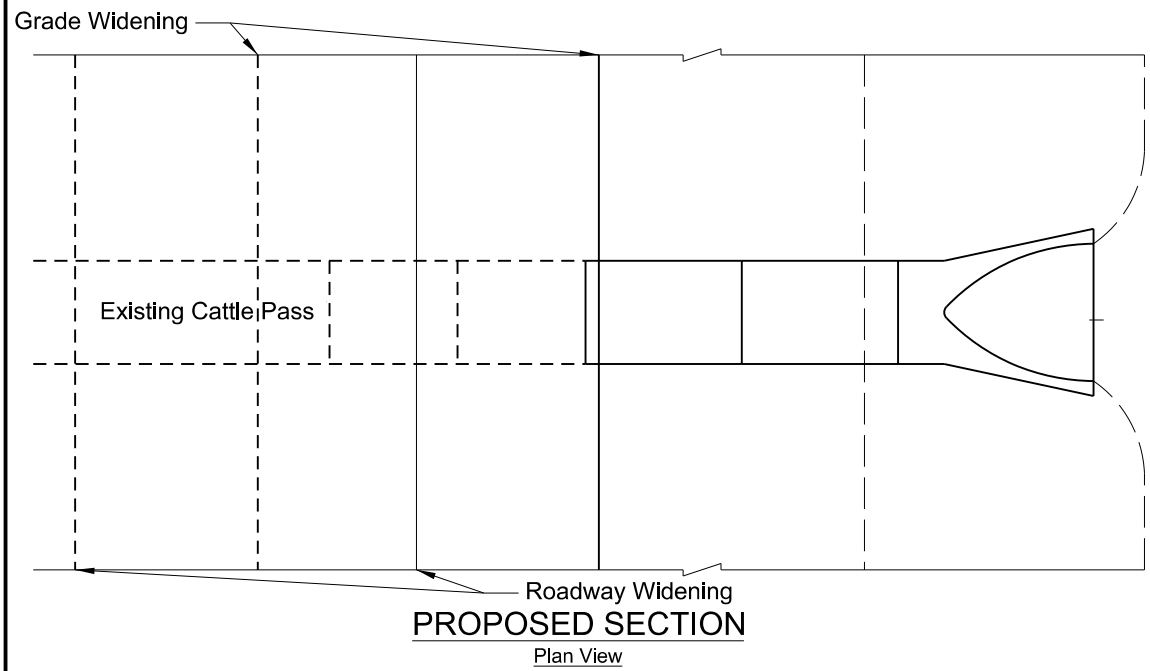


PROPOSED SECTION
Cross Section View



BACKFILL DETAIL
Side View (Topsoil Not Shown)

- NOTES:**
- 1) Embankment may be either Borrow Excavation or Common Excavation
 - 2) Aggregate may be either Class 3 or Class 5 Aggregate Base Course.



PROPOSED SECTION
Plan View

| Concrete Cattle Pass | | |
|----------------------|-------------------------|--------------|
| Dim (A) | Material (B) | Material (C) |
| <= 4 Feet | Embankment or Aggregate | Aggregate |
| > 4 Feet | Embankment | Embankment |

| | | |
|--|---|---|
| Mainline Widening CL Cattle or Stock Pass Ext Detail | Project Description Project Location | <p>This document is preliminary and not for construction or implementation purposes.</p> <p style="font-size: 2em; opacity: 0.5; transform: rotate(-45deg); position: absolute; top: 50%; left: 50%;">PRELIMINARY</p> |
| | | |