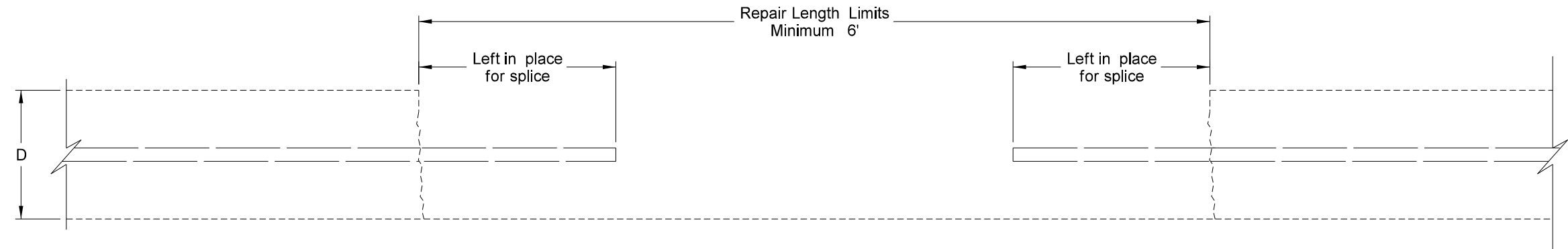
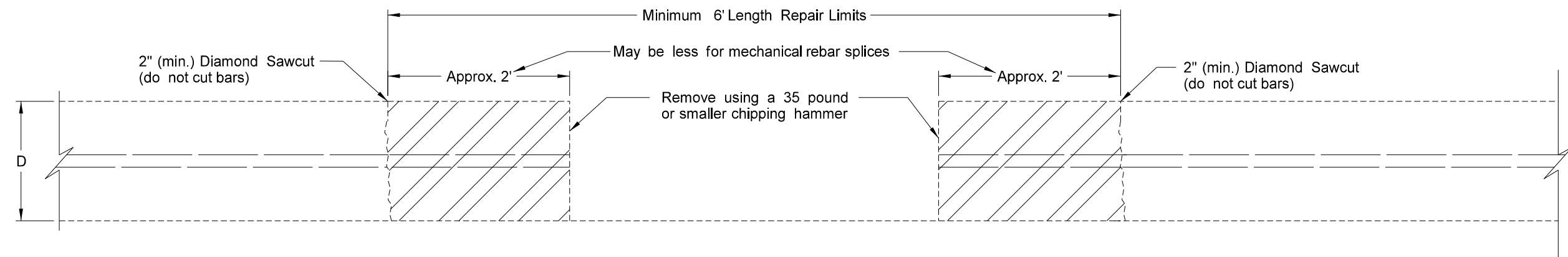
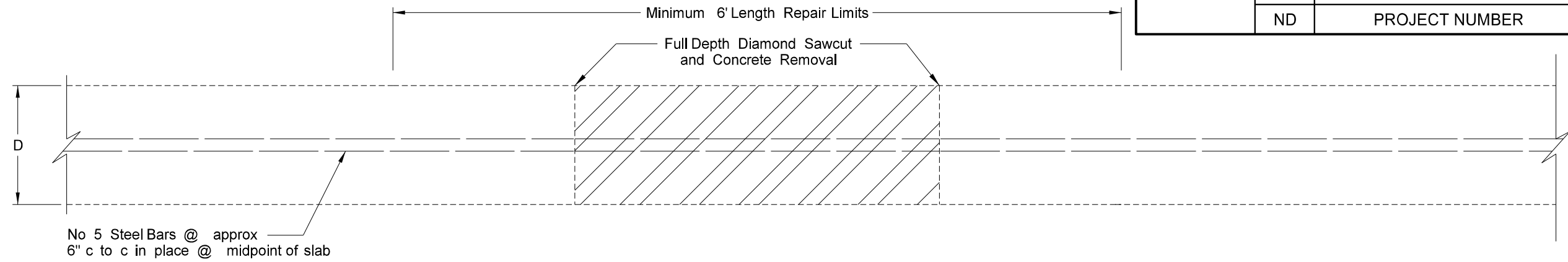


	STATE	PROJECT NO.	SECTION NO.	SHEET NO.
	ND	PROJECT NUMBER	20	PAGE



D = PCC pavement depth

NOTE: Repair passing lane first when repair area includes both lanes.

Continuously Reinforced Concrete Pavement Repair  
Full Depth Repair Removal Detail

Project Description  
Project Location

This document  
is preliminary  
and not for  
construction or  
implementation  
purposes.

PRELIMINARY