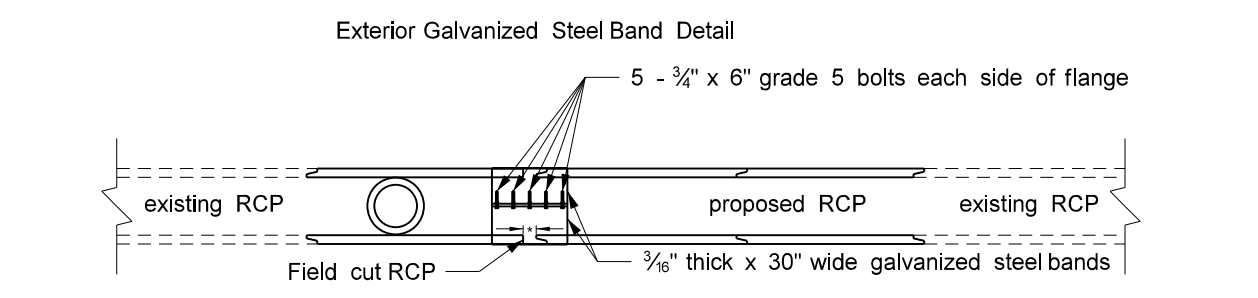
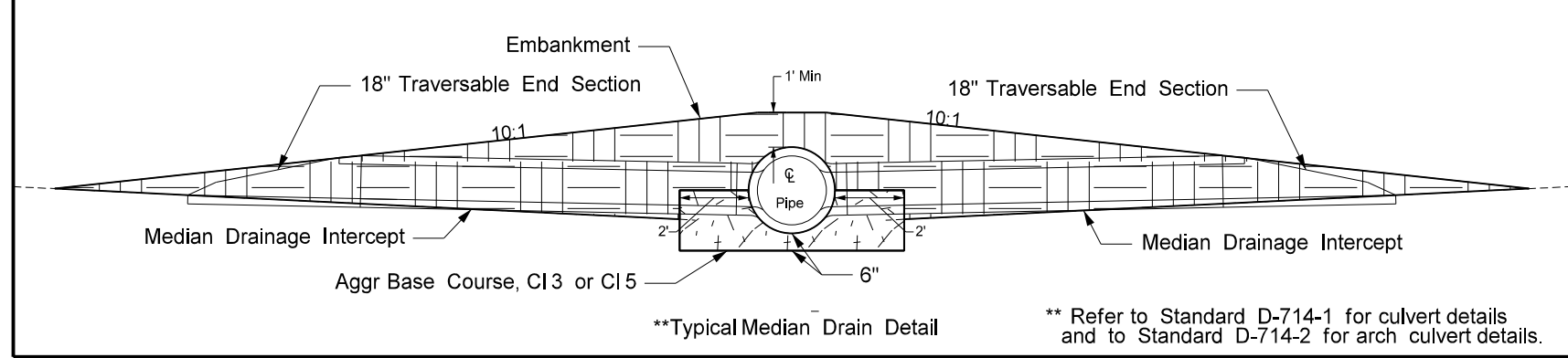
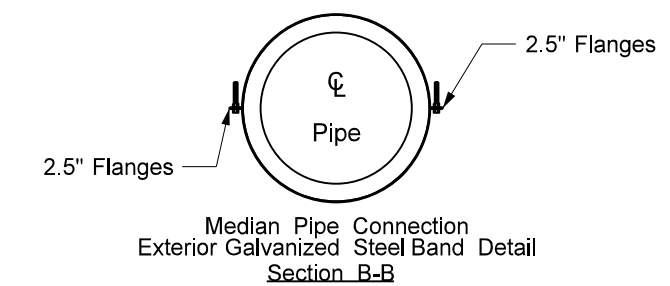


NOTES:
Tie all pipe extension joints through the median.
Place fill to provide drainage into the pipe end sections.
If unable to fit the median pipe extension tightly together using the bell and spigot only, use either the exterior metal connection band method shown below, a poured in-place manhole, or other method approved by the engineer. Include all costs for grouting, connecting band method, or manhole and grouting in the unit price bid for "Pipe Culverts."
Use a butyl joint material to seal the pipes to the band, when using an exterior metal connection band.

Removal of End Sections, All Types & Sizes		Borrow Excavation	
Sta 673+84	Ea	Sta 673+84	CY
Sta 703+80	Ea	Sta 703+80	CY
Sta 800+72	Ea	Sta 800+72	CY
Sta 801+28	Ea	Sta 801+28	CY



Section A-A
*Gap should be no more than 1" greater than the RCP tongue length.



Centerline Pipe Median connection (Two-Way Drain)
Project Description
Project Location

This document is preliminary and not for construction or implementation purposes.

** Refer to Standard D-714-1 for culvert details and to Standard D-714-2 for arch culvert details.